

Black Acetal Swivel Male Run Tee (BSPT Thread)

Pushfit fitting for connecting 2 pipe of equal connection size and a further swivel type run connection.

Overview

John Guest swivel male run tee (BSPT thread) push-fit fitting connects two pipes or tubes of equal connection size and an additional swivel BSPT run connection. Fast and simple to install, John Guest Air and Pneumatics creates an instant connection and airtight seal without the need for tools, hot works or sealing agents. Air piping systems can be set up and installed 50% quicker than traditional methods.

The unique collet locking design firmly and securely holds the pipe in place without deforming the pipe or restricting flow. Fittings are also fully demountable, reducing system downtime during maintenance and making it quick and easy to modify or extend systems.

Designed in tough engineered plastic, fittings are compatible with John Guest nylon, powder coated aluminium or LLDPE tubing, as well as copper, PEXa and other soft metal pipe materials. All John Guest fittings are manufactured and assembled in the UK.



Features & Benefits

- Strong acetal copolymer fitting with nitrile O-Ring
- Airtight connection with superior flow characteristics
- Instant push-fit connection and demountable without tools
- Secure collet cover prevents accidental disconnection
- Suitable for air and pneumatics piping systems up to 10 bar
- Ideal for air, inert gases and vacuum applications
- Food grade fitting suitable for potable liquids
- Compatible with soft metal or plastic pipe/tubing

Product code	Description	Size
PM110401E	Swivel Male Run Tee (BSPT Thread)	4mm x 1/8"
PM110602E	Swivel Male Run Tee (BSPT Thread)	6mm x 1/4"
PM110802E	Swivel Male Run Tee (BSPT Thread)	8mm x 1/8"
PM110803E	Swivel Male Run Tee (BSPT Thread)	8mm x 3/8"
PM111002E	Swivel Male Run Tee (BSPT Thread)	10mm x 1/4"
PM111003E	Swivel Male Run Tee (BSPT Thread)	10mm x 3/8"



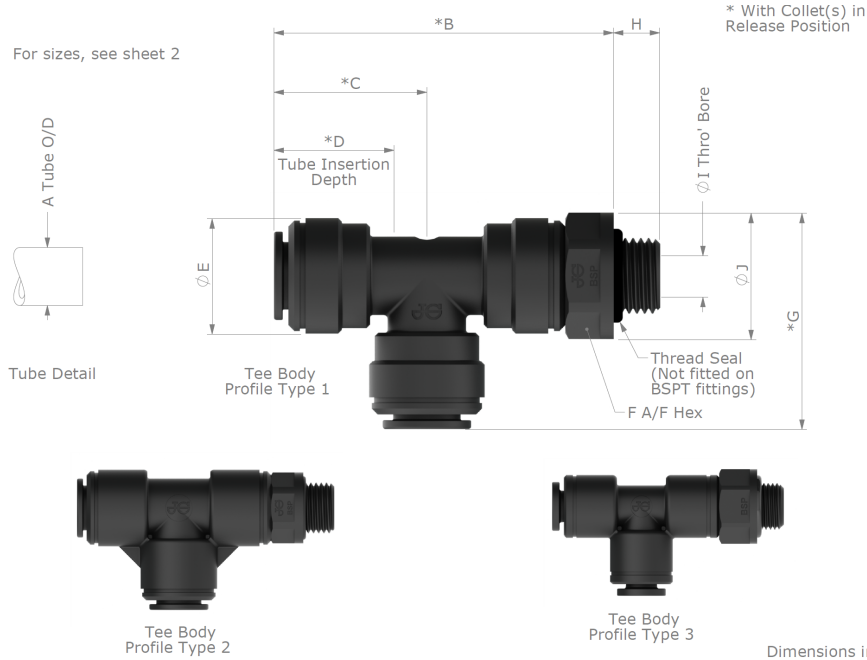
Black Acetal Swivel Male Run Tee (BSPT Thread)

	Maximum & Minimum Temperature	Maximum working pressure, bar
Potable Liquid	1°C -65°C	10 Bar (7 Bar @ 65°C)

Materials	
Body	Acetal Copolymer (Unfilled)
O-Ring	EPDM, Black
Collet	Acetal Copolymer (Unfilled)
Collet Teeth	Stainless Steel 301

Application
Potable Liquid
Water Purification
Water Treatment
Intermittent Hot Water (up to 65C)
Suitable for Inert Gases & Vacuum Applications

Dimensions – All measurements in mm unless otherwise stated



Product No.	Description	A - Tube O/D	B	C	D	E	F	G	H	I	J	Tee Body Profile Type
PM110401E	4mm x 1/8 BSPT	4mm	40.0	17.6	14.3	13.0	15	25.9	10.2	2.5	16.7	3
PM110402E	4mm x 1/4 BSPT	4mm					17	26.7	11.2	2.5	18.3	3
PM110501E	5mm x 1/8 BSPT	5mm	40.0	17.6	14.3	13.0	15	25.9	10.2	3.4	16.7	3
PM110502E	5mm x 1/4 BSPT	5mm					17	26.7	11.2	3.4	18.3	3
PM110601E	6mm x 1/8 BSPT	6mm	44.1	19.6	15.7	15.0	17	28.8	10.2	4.2	18.3	1
PM110602E	6mm x 1/4 BSPT	6mm					17	28.8	11.2	4.2	18.3	1
PM110801E	8mm x 1/8 BSPT	8mm	46.9	21.0	16.7	17.8	17	30.2	10.2	4.2	18.3	2
PM110802E	8mm x 1/4 BSPT	8mm					17	30.2	11.2	5.7	18.3	2
PM110803E	8mm x 3/8 BSPT	8mm					20	31.9	12.7	4.6	21.8	2
PM111002E	10mm x 1/4 BSPT	10mm	55.6	25.4	19.7	19.9	20	36.3	11.2	7.2	21.8	1
PM111003E	10mm x 3/8 BSPT	10mm					20	36.3	12.7	7.1	21.8	1
PM111004E	10mm x 1/2 BSPT	10mm					22	37.4	16.0	7.2	24.1	1
PM111203E	12mm x 3/8 BSPT	12mm					24	45.6	12.7	8.7	26.3	1
PM111204E	12mm x 1/2 BSPT	12mm	69.4	32.5	25.9	23.0	24	45.6	16.0	8.7	26.3	1