

Grey Acetal Swivel Male Run Tee (NPTF Thread)

Quickly and securely connects pipes to form a swivel type NPTF run connection

Overview

John Guest grey push-fit acetal swivel male run tee (NPTF thread) fitting connects pipe to a NPTF type threaded connection, creating a swivel type run connection. Fast and simple to install, John Guest push-fit fittings create an instant push-fit connection and leak tight seal without the need for tools, hot works or sealing agents.

The unique collet locking design firmly and securely holds the pipe in place without deforming the pipe or restricting flow. Fittings are corrosion resistant and fully demountable, improving system performance and reducing system downtime during maintenance.

Manufactured in grey push-fit acetal copolymer, the fitting is suitable for foodstuff, potable liquids and inert gases. In accordance with the British Beer & Pub Association Code of Practice, fittings can also be used with N₂/CO₂ and mixed gas dispense lines, as well as air, pneumatic and vacuum applications. All John Guest fittings are manufactured and assembled in the UK.



Features & Benefits

- Strong acetal copolymer fitting with nitrile O-Ring
- Airtight connection with superior flow characteristics
- Instant push-fit connection and demountable without tools
- Secure collet cover prevents accidental disconnection
- Suitable for air and pneumatics piping systems up to 10 bar
- Ideal for air, inert gases and vacuum applications
- Food grade fitting suitable for potable liquids
- Compatible with soft metal or plastic pipe/tubing

Product code	Description	Size
PM110421S	Swivel Male Run Tee (NPTF Thread)	5/32" x 1/8"*
PM110422S	Swivel Male Run Tee (NPTF Thread)	5/32" x 1/4"*
PI110621S	Swivel Male Run Tee (NPTF Thread)	3/16" x 1/8"
PI110821S	Swivel Male Run Tee (NPTF Thread)	1/4" x 1/8"
PI110822S	Swivel Male Run Tee (NPTF Thread)	1/4" x 1/4"
PM110821S	Swivel Male Run Tee (NPTF Thread)	5/16" x 1/8"*
PM110822S	Swivel Male Run Tee (NPTF Thread)	5/16" x 1/4"
PM110823S	Swivel Male Run Tee (NPTF Thread)	5/16" x 3/8"*
PI111222S	Swivel Male Run Tee (NPTF Thread)	3/8" x 1/4"
PI111223S	Swivel Male Run Tee (NPTF Thread)	3/8" X 3/8"
PI111623S	Swivel Male Run Tee (NPTF Thread)	1/2" X 3/8"*
PI111624S	Swivel Male Run Tee (NPTF Thread)	1/2" X 1/2"*

*Obtained by using an Equal Tee shown and a Stem Adaptor



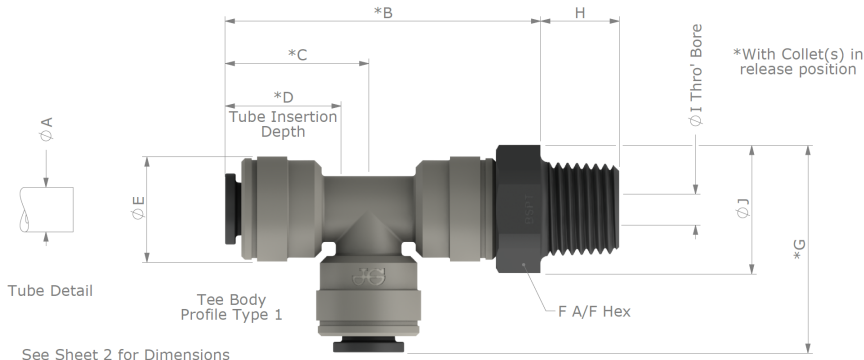
Grey Acetal Swivel Male Run Tee (BSPT Thread)

Application	Maximum working pressure, bar
Air	16 Bar

Materials	
Body	Plastic
O-Ring	Nitrile, Black
Collet	Acetal Copolymer (Unfilled)
Collet Teeth	Stainless Steel 301

Application
Potable Liquid
Food Grade Liquid
Inert Gases
Vacuum

Dimensions – All measurements in mm unless otherwise stated



See Sheet 2 for Dimensions



Dimensions in Inches & [mm]

Product Number	Size	A Tube O/D	B	C	D	E	F	G	H	I	J	Tee Body Profile Type
PM110421S	5/32" x 1/8 NPTF	0.156 +0.001 / -0.003 [3.97 +0.03 / -0.07]	1.57 [40.0]	0.69 [17.6]	0.56 [14.3]	0.40 [10.2]	9/16"	1.00 [25.3]	0.37 [9.5]	0.10 [2.5]	0.61 [15.4]	3
PM110422S	5/32" x 1/4 NPTF		1.57 [40.0]	0.69 [17.6]	0.56 [14.3]	0.40 [10.2]	9/16"	1.00 [25.3]	0.56 [14.3]	0.10 [2.5]	0.61 [15.4]	3
PI110621S	3/16" x 1/8 NPTF	0.188 +0.001 / -0.003 [4.78 +0.03 / -0.07]	1.57 [40.0]	0.69 [17.6]	0.56 [14.3]	0.40 [10.2]	11/16"	1.07 [27.1]	0.37 [9.5]	0.12 [3.0]	0.75 [19.0]	3
PI110821S	1/4" x 1/8 NPTF	0.250 +0.001 / -0.004 [6.35 +0.03 / -0.10]	1.74 [44.1]	0.77 [19.6]	0.62 [15.7]	0.47 [11.9]	11/16"	1.15 [29.1]	0.37 [9.5]	0.18 [4.4]	0.75 [19.0]	1
PI110822S	1/4" x 1/4 NPTF		1.74 [44.1]	0.77 [19.6]	0.62 [15.7]	0.47 [11.9]	11/16"	1.15 [29.1]	0.56 [14.3]	0.18 [4.4]	0.75 [19.0]	1
PM110821S	5/16" x 1/8 NPTF	0.313 +0.001 / -0.004 [7.94 +0.03 / -0.10]	1.85 [46.9]	0.83 [21.0]	0.66 [16.7]	0.50 [12.7]	11/16"	1.20 [30.5]	0.37 [9.5]	0.22 [5.6]	0.75 [19.0]	2
PM110822S	5/16" x 1/4 NPTF		1.85 [46.9]	0.83 [21.0]	0.66 [16.7]	0.50 [12.7]	11/16"	1.20 [30.5]	0.56 [14.3]	0.22 [5.6]	0.75 [19.0]	2
PM110823S	5/16" x 3/8 NPTF		1.85 [46.9]	0.83 [21.0]	0.66 [16.7]	0.50 [12.7]	13/16"	1.27 [32.3]	0.56 [14.3]	0.22 [5.6]	0.89 [22.6]	2
PI111222S	3/8" x 1/4 NPTF	0.375 +0.001 / -0.004 [9.53 +0.03 / -0.10]	2.19 [55.6]	1.00 [25.4]	0.78 [19.7]	0.60 [15.3]	13/16"	1.44 [36.7]	0.56 [14.3]	0.26 [6.5]	0.89 [22.6]	1
PI111223S	3/8" x 3/8 NPTF		2.19 [55.6]	1.00 [25.4]	0.78 [19.7]	0.60 [15.3]	13/16"	1.44 [36.7]	0.56 [14.3]	0.26 [6.5]	0.89 [22.6]	1
PI111623S	1/2" x 3/8 NPTF	0.500 +0.001 / -0.004 [12.7 +0.03 / -0.10]	2.72 [69.1]	1.20 [30.5]	0.91 [23.0]	0.69 [17.5]	1"	1.76 [44.6]	0.56 [14.3]	0.38 [9.6]	1.11 [28.3]	1
PI111624S	1/2" x 1/2 NPTF		2.72 [69.1]	1.20 [30.5]	0.91 [23.0]	0.69 [17.5]	1"	1.75 [44.5]	0.63 [16.0]	0.38 [9.6]	1.10 [28.0]	1