

Swivel Elbow (BSPT Thread) Metric

Connects imperial sized pipe to form a swivel type 90 degree pipe bend

Overview

John Guest swivel elbow (BSPT thread) push-fit fitting connects metric to a BSPT thread connection to form a 90° swivel type connection. Fast and simple to install, John Guest Air and Pneumatics creates an instant connection and airtight seal without the need for tools, hot works or sealing agents. Air piping systems can be set up and installed 50% quicker than traditional methods.

The unique collet locking design firmly and securely holds the pipe in place without deforming the pipe or restricting flow. Fittings are also fully demountable, reducing system downtime during maintenance and making it quick and easy to modify or extend systems.

Designed in tough engineered plastic, fittings are compatible with John Guest nylon, powder coated aluminum or LLDPE pipe, as well as copper, PEXa and other soft metal pipe materials. All John Guest fittings are manufactured and assembled in the UK

Features & Benefits

- Strong acetal copolymer fitting with nitrile O-Ring
- Airtight connection with superior flow characteristics
- Instant push-fit connection and demountable without tools
- Secure collet cover prevents accidental disconnection
- Suitable for air and pneumatics piping systems up to 10 bar
- Ideal for air, inert gases and vacuum applications
- Food grade fitting suitable for potable liquids
- Compatible with soft metal or plastic pipe/tubing



Product code	Description	Size	Bag QTY
PM090401E	Swivel Elbow (BSPT Thread)	4mm X 1/8"	10
PM090402E	Swivel Elbow (BSPT Thread)	4mm X 1/4"	10
PM090501E	Swivel Elbow (BSPT Thread)	5mm X 1/8"	10
PM090502E	Swivel Elbow (BSPT Thread)	5mm X 1/4"	10
PM090601E	Swivel Elbow (BSPT Thread)	6mm X 1/8"	10
PM090602E	Swivel Elbow (BSPT Thread)	6mm X 1/4"	10
PM090801E	Swivel Elbow (BSPT Thread)	8mm X 1/8"	10
PM090802E	Swivel Elbow (BSPT Thread)	8mm X 1/4"	10
PM090803E	Swivel Elbow (BSPT Thread)	8mm X 3/8"	10
PM091002E	Swivel Elbow (BSPT Thread)	10mm X 1/4"	10
PM091003E	Swivel Elbow (BSPT Thread)	10mm X 3/8"	10
PM091004E	Swivel Elbow (BSPT Thread)	10mm X 1/2"	10
PM091203E	Swivel Elbow (BSPT Thread)	12mm X 3/8"	10
PM091204E	Swivel Elbow (BSPT Thread)	12mm X 1/2"	10



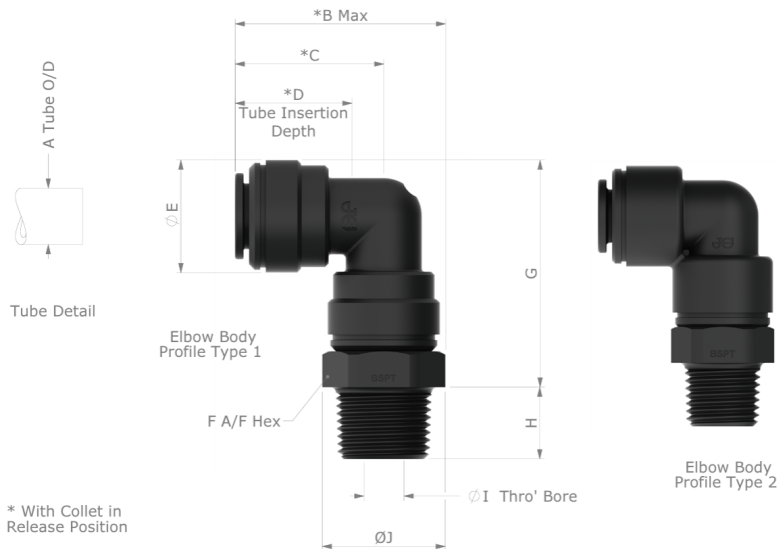
Swivel Elbow (BSPT Thread)

Working parameters & specifications

Application	Maximum working pressure, bar
Air	16 Bar

Materials	
Body	Plastic
O-Ring	Nitrile, Black
Collet	Acetal Copolymer (Unfilled), Black
Collet Teeth	Stainless Steel 301

Dimensions – All measurements in mm unless otherwise stated



Product No.	Description	A - Tube O/D	B	C	D	E	F	G	H	I	J	Elbow Body Profile Type
PM090401E	4mm x 1/8 BSPT	4mm	25.9	18.0	14.3	13.0	15.0	30.4	10.2	2.5	16.7	2
PM090402E	4mm x 1/4 BSPT	4mm					26.7	11.2	2.5	18.3	2	
PM090501E	5mm x 1/8 BSPT	5mm	25.9	18.0	14.3	13.0	15.0	30.4	10.2	3.4	16.7	2
PM090502E	5mm x 1/4 BSPT	5mm					26.7	11.2	3.4	18.3	2	
PM090601E	6mm x 1/8 BSPT	6mm	28.8	20.0	15.7	15.0	17.0	33.5	10.2	4.2	18.3	2
PM090602E	6mm x 1/4 BSPT	6mm					17.0	33.5	11.2	4.2	18.3	2
PM090801E	8mm x 1/8 BSPT	8mm	30.2	21.0	16.7	17.8	17.0	36.3	10.2	4.2	18.3	2
PM090802E	8mm x 1/4 BSPT	8mm					17.0	36.3	11.2	5.7	18.3	2
PM090803E	8mm x 3/8 BSPT	8mm	31.9				20.0	36.3	12.7	4.6	21.8	2
PM091002E	10mm x 1/4 BSPT	10mm	36.3	25.0	19.7	19.8	20.0	41.7	10.2	7.2	21.8	1
PM091003E	10mm x 3/8 BSPT	10mm					22.0	41.7	12.7	7.1	21.8	1
PM091004E	10mm x 1/2 BSPT	10mm	37.4				27.0	41.7	16.0	7.2	24.1	1
PM091203E	12mm x 3/8 BSPT	12mm	45.6	32.5	25.9	23.0	24.0	51.7	12.7	8.7	26.3	1
PM091204E	12mm x 1/2 BSPT	12mm					24.0	50.4	16.0	8.7	26.3	1