

# Direct Buried End Stop

A transparent blown fibre connector for direct buried applications, with unrivalled high impact resistance properties.

## Overview

Designed for simple installation and seamless performance under the toughest of conditions, the JG Blown Fibre End Stop works with the JG Blown Fibre Direct Buried Straight Connector providing 30J impact resistance – unmatched strength packed in a slimline, transparent fitting.

Featuring a collet with stainless steel teeth, the fitting is designed to provide a secure connection with a simple push-fit action. This technology eliminates the need for any tools, making the installation process efficiently straightforward.

In the event of repair or network expansion works, the JG Blown Fibre Direct Buried End Stop provides superior installation flexibility, as the demountable feature of the solution allows for the system to be reconfigured at any given time without damage to the microduct or fitting.

With international patents underway, the Direct Buried end stop and straight connector are industry firsts in many ways.

## Features and benefits

- Smooth cylindrical surface minimises neighbouring microduct deformation due to absence of crush load points
- Coaxial design with floating core allows for 30J impact resistance at -5°C
- Transparent body makes it easier to check if the microduct is fully inserted
- Built-in locking collet comes pre-locked, enabling instantly secure pipe connection
- Padlock symbols indicate pipe lock/unlock positions
- Push-fit technology ensures swift tool-free installation
- Collet with stainless steel teeth securely locks microduct in place
- O-Ring Seals enhance connection integrity



Product code	Description	Size
BF4607	Direct Buried End Stop	7 mm
BF4608	Direct Buried End Stop	8 mm
BF4610	Direct Buried End Stop	10mm
BF4612	Direct Buried End Stop	12 mm
*BF4614	Direct Buried End Stop	14 mm
*BF4616	Direct Buried End Stop	16 mm
*BF4620	Direct Buried End Stop	20 mm

\*Product includes washer, see parts list below

## International patents applied for

UK patents pending: 1909903.5/1909909.2/1909906.8  
Worldwide design registrations pending



## Blown fibre fittings

# Direct Buried End Stop

### Working pressures & temperatures

Blowing pressure (max)	16 bar
Temperature range	-25°C to 60 °C

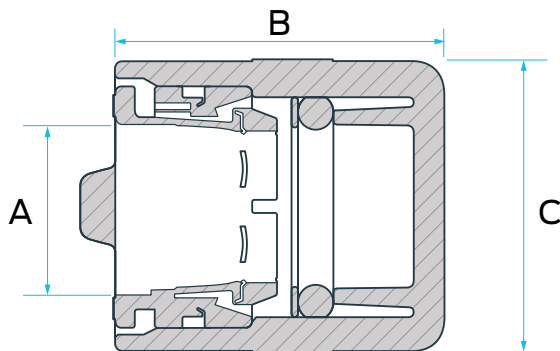
### Applications

Direct buried fibre optic microducts	✓
--------------------------------------	---

### Materials

Body	Polycarbonate (Unfilled), Clear
Collets & Cartridges	Polypropylene (Unfilled), Black & Stainless Steel
O-Ring	Nitrile, Black
*Washers	Acetal Copoloymer (Unfilled), Natural

### Dimensions



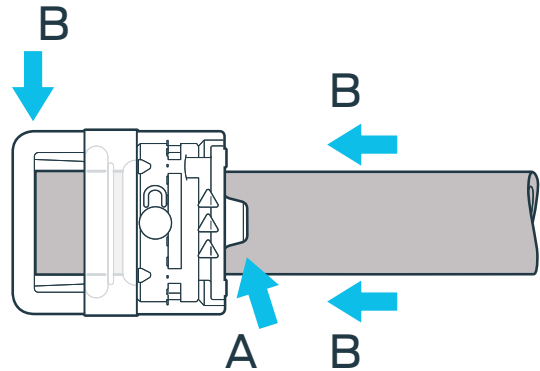
Product	A	B	C
BF4607	7 mm	22 mm	18 mm
BF4608	8 mm	22 mm	18 mm
BF4610	10 mm	25.5 mm	20.5 mm
BF4612	12 mm	28 mm	24.5 mm
*BF4614	14 mm	31 mm	27.5 mm
*BF4616	16 mm	32.5 mm	29 mm
*BF4620	20 mm	40 mm	36.5 mm

\*Product includes washer, see parts list above

## Installation guide

### 1 - Connecting the end stop

A - End stops are supplied in the locked position, ready to use.  
B - Push the microduct in all the way to the stop wall.



### 2 - Removing microduct

A - Twist the collet anti-clockwise until it clicks and stops.  
B - Push the collet down into the end stop and pull the microduct away.

