

Brass Male Stem Adaptor

Easily converts a Speedfit connection to a MBSP type

Overview

Speedfit DZR brass push-fit adaptor that converts Speedfit push-fit to a male thread appliance.

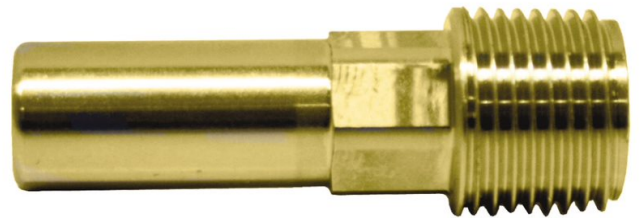
The fitting is quicker and easier to install in confined spaces than traditional methods as it eliminates the need for hot works.

Designed, manufactured and assembled in the UK.

Features & Benefits

- Safe flame-free installation, with no hot works, glue or flux
- Suitable for use with JG Speedfit PEX and polybutylene barrier pipe (inserts required) and copper pipe
- Suitable for hot and cold water and central heating systems

Product code	Description	Size	Bag QTY
MW051504N	Brass Male Stem Adaptor	15mm x 1/2" BSP	5
MW052206N	Brass Male Stem Adaptor	22mm x 3/4" BSP	5
MW052818N	Brass Male Stem Adaptor	28mm x 1" BSP	10



50 year guarantee when used with JG Speedfit Layflat PB and PEX Barrier Pipes

Brass Male Stem Adaptor

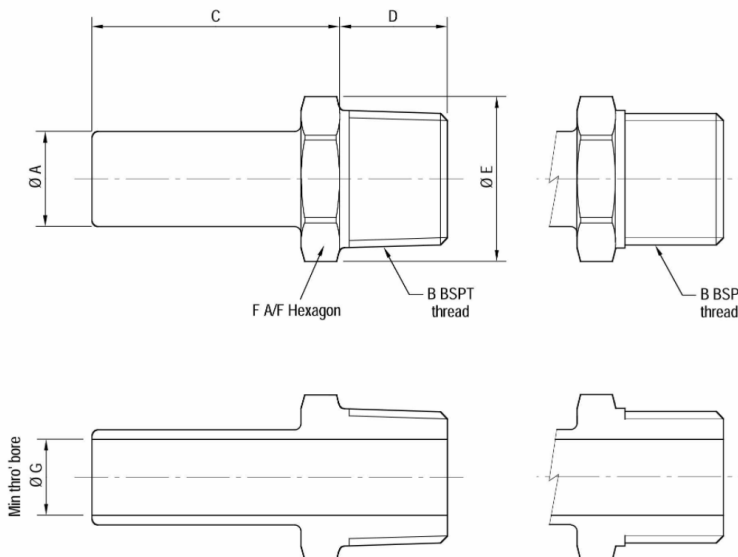
Working parameters & specifications

Application	Usual working temperature °C	Maximum working temperature °C	Maximum working pressure, bar
Cold Water (indirect and direct mains)	20	20	12
Central Heating	82	105, short term malfunction at 114	3
Hot Water (including unvented cylinders)	65	95	6

Materials

Body Brass, De-Zincification Resistant

Dimensions – All measurements in mm unless otherwise stated



Product No.	Ø A	B Thread	Dim C	Dim D	Ø E	Dim F	Ø G
MW051504N	15.0±0.05	1/2 BSPT	39.0	17.0	27.5	25.0	12.0
MW052206N	22.0±0.05	3/4 BSPT	49.0	19.0	34.0	30.0	19.0
MW052818N	28.0±0.1	1 BSP	65.0	15.5	40.0	36.0	23.0