

Banjo Flow Control (Manual Adjustment)

Fits directly to a cylinder or compressor connection port to control the flow rate.

Overview

John Guest banjo flow control (manual adjustment) push-fit fitting is installed directly onto cylinder ports to give precise control by regulating the speed of pneumatic cylinders and actuators. John Guest Controls provide a neat compact assembly which can be orientated to a suitable position for the circuit arrangement prior to tightening. The design offers especially precise adjustment through the control needle within its housing.

Fittings are compatible with John Guest nylon, powder coated aluminium or LLDPE tubing, as well as copper, PEXa and other soft metal pipe materials. All John Guest fittings are manufactured and assembled in the UK.

Features & Benefits

- Manual adjustment flow control
- Made from acetal copolymer, brass, stainless steel and nitrile
- Airtight connection with superior flow characteristics
- Instant push-fit connection and demountable without tools
- Ideal for air and inert gases
- Compatible with soft metal or plastic pipe/tubing



Product code	Description	Size	Bag QTY
CFM3604M5E	Banjo Flow Control (manual adjustment)	4mm x M5	1
CFM360611E	Banjo Flow Control (manual adjustment)	6mm X 1/8"	1
CFM360612E	Banjo Flow Control (manual adjustment)	6mm x 1/4"	1
CFM360812E	Banjo Flow Control (manual adjustment)	8mm x 1/4"	1



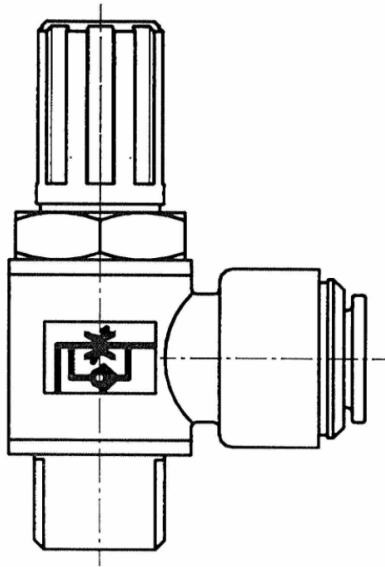
Banjo Flow Control (Manual Adjustment)

Working parameters & specifications

Application	Maximum working pressure, bar
Air	16 Bar

Materials	
Body	Plastic
O-Ring	Nitrile, Black
Collet	Acetal Copolymer (Unfilled), Black
Collet Teeth	Stainless Steel 301

Dimensions – All measurements in mm unless otherwise stated



THE RANGE

<u>Tube O.D.</u>	<u>Thread</u>	<u>Part Number</u>
4MM	M5	CFM3604M5E
5MM	M5	CFM3605M5E
4MM	1/8 BSP	CFM360411E
5MM	1/8 BSP	CFM360511E
6MM	1/8 BSP	CFM360611E
6MM	1/4 BSP	CFM360612E
8MM	1/4 BSP	CFM360812E