

End Stop (Imperial)

Safely caps unused pipework ends

Overview

John Guest end stop push-fit fitting quickly and safely cap off pipework termination points on temporary or permanent basis. Fast and simple to install, John Guest Air and Pneumatics creates an instant connection and airtight seal without the need for tools, hot works or sealing agents. Air piping systems can be set up and installed 50% quicker than traditional methods.

The unique collet locking design firmly and securely holds the pipe in place without deforming the pipe. As it is demountable without tools, it can be easily and quickly removed at any stage to make an extension or modification to the system.

Designed in tough engineered plastic, fittings are compatible with John Guest nylon, powder coated aluminium or LLDPE tubing, as well as copper, PEXa and other soft metal pipe materials. All John Guest fittings are manufactured and assembled in the UK.

Features & Benefits

- Safely caps off pipework for maintenance or termination points
- Strong acetal copolymer fitting with nitrile O-Ring
- Airtight connection with superior flow characteristics
- Instant push-fit connection and demountable without tools
- Secure collet cover prevents accidental disconnection
- Suitable for air and pneumatics piping systems up to 10 bar
- Ideal for air, inert gases and vacuum applications
- Food grade fitting suitable for potable liquids
- Compatible with soft metal or plastic pipe/tubing



Product code	Description	Size	Bag QTY
PI4608S	End Stop	1/4"	10
PI4612S	End Stop	3/8"	10



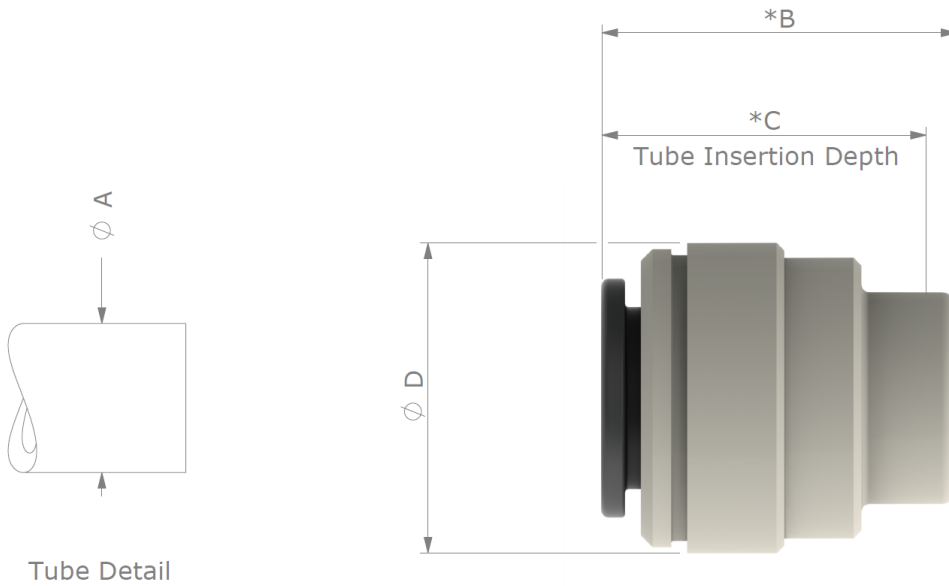
End Stop (Imperial)

Working parameters & specifications

Application	Maximum working pressure, bar
Air	16 Bar

Materials	
Body	Acetal Copolymer (Unfilled), Black
O-Ring	Nitrile, Black
Collet	Acetal Copolymer (Unfilled), Black
Collet Teeth	Stainless Steel 301

Dimensions – All measurements in mm unless otherwise stated



Part No.	Size	$\varnothing A$	B	C	$\varnothing D$
PI4608S	1/4"	0.250 +0.001 / -0.004 [6.35 +0.025 / -0.10]	18.9	15.7	15.0
PI4612S	3/8"	0.375 +0.001 / -0.004 [9.53 +0.025 / -0.10]	21.7	19.7	19.8

Dimensions in Inches & [mm]