

Miniature Banjo Flow Control (Screwdriver Slot, Metric Thread)

Fits directly to a cylinder or compressor connection port to control the flow rate.

Overview

John Guest Miniature Banjo Flow Controls are designed for installation directly into cylinder ports to give precise control. They regulate the speed of pneumatic cylinders and other actuators. John Guest Controls provide a neat compact assembly which can be orientated to a suitable position for the circuit arrangement prior to tightening. The design offers especially precise adjustment through the control needle which is captive within its housing.

Suitable for both soft metal and plastic tubing.

Features & Benefits

- Manual adjustment flow control
- Made from acetal copolymer, brass, stainless steel and nitrile
- Airtight connection with superior flow characteristics
- Instant push-fit connection and demountable without tools
- Ideal for air and inert gases
- Compatible with soft metal or plastic pipe/tubing



Product code	Description	Size	Bag QTY
LM1503M3E	Miniature Banjo Flow Control (Screwdriver Slot, BSP Thread)	3mm x M3	10



Miniature Banjo Flow Control (Screwdriver Slot, Metric Thread)

Working parameters & specifications

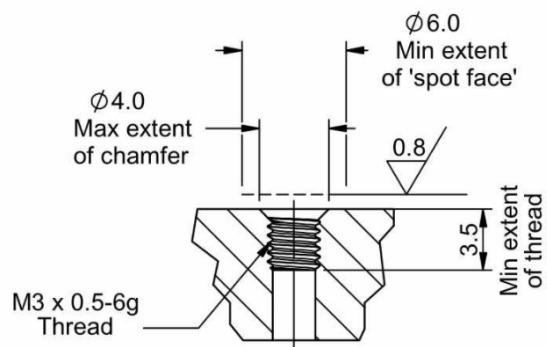
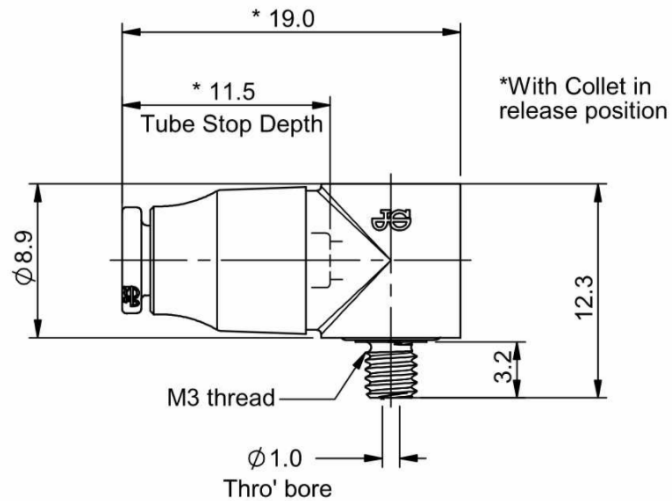
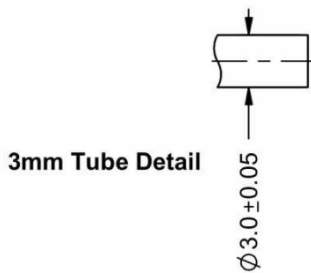
Application	Maximum working pressure, bar
Air	16 Bar

Materials	
Body	Plastic
O-Ring	Nitrile, Black
Collet	Acetal Copolymer (Unfilled), Black
Collet Teeth	Stainless Steel 301

Dimensions – All measurements in mm unless otherwise stated

Working Temperatures and Pressures

-20°C to 70°C at 16 Bar



Mounting Detail