

# Reducer (Metric)

Connects 2 pipes/tubes of unequal size.

## Overview

John Guest reducer (stem) push-fit fitting for the connections of two pipes/tubes of unequal connection size. Fast and simple to install, John Guest Air and Pneumatics creates an instant connection and airtight seal without the need for tools, hot works or sealing agents. Air piping systems can be set up and installed 50% quicker than traditional methods.

The unique collet locking design firmly and securely holds the pipe in place without deforming the pipe or restricting flow. Fittings are also fully demountable, reducing system downtime during maintenance and making it quick and easy to modify or extend systems.

Designed in tough engineered plastic, fittings are compatible with John Guest nylon, powder coated aluminium or LLDPE tubing, as well as copper, PEXa and other soft metal pipe materials. All John Guest fittings are manufactured and assembled in the UK.



## Features & Benefits

- Strong acetal copolymer fitting with nitrile O-Ring
- Airtight connection with superior flow characteristics
- Instant push-fit connection and demountable without tools
- Secure collet cover prevents accidental disconnection
- Suitable for air and pneumatics piping systems up to 10 bar
- Ideal for air, inert gases and vacuum applications
- Food grade fitting suitable for potable liquids
- Compatible with soft metal or plastic pipe/tubing

Product code	Description	Size	Bag QTY
PMO61512E	Reducer	15 x 12mm	10
PMO61815E	Reducer	18 x 15mm	10
PMO62215E	Reducer	22 x 15mm	10
PMO62218E	Reducer	22 x 18mm	10
PMO62815E	Reducer	28 x 15mm	10
PMO62822E	Reducer	28 x 22mm	



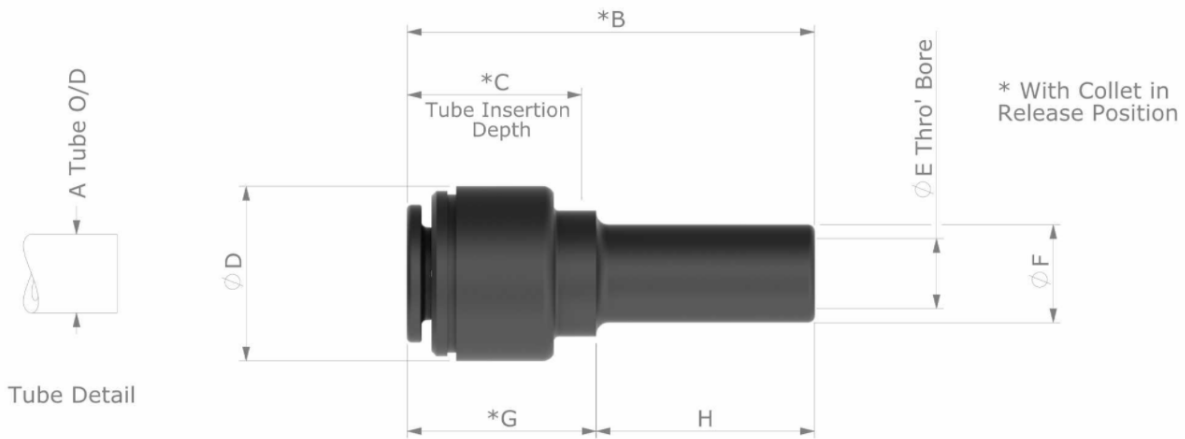
# Reducer

## Working parameters & specifications

Application	Maximum working pressure, bar
Air	16 Bar

Materials	
Body	Plastic
O-Ring	Nitrile, Black
Collet	Acetal Copolymer (Unfilled), Black
Collet Teeth	Stainless Steel 301

## Dimensions – All measurements in mm unless otherwise stated



Product No.	Description	A - Tube O/D	B	C	ØD	ØE	ØF	G	H
PM060504E	5mm Stem - 4mm Tube O/D	4.0	34.6	14.3	13.0	2.5	5.0	18.1	16.5
PM060604E	6mm Stem - 4mm Tube O/D	4.0							
PM060605E	6mm Stem - 5mm Tube O/D	5.0	36.1	14.3	13.0	3.4	6.0	18.1	18.0
PM060804E	8mm Stem - 4mm Tube O/D	4.0							
PM060805E	8mm Stem - 5mm Tube O/D	5.0	37.2	14.3	13.0	3.4	8.0	18.1	19.1
PM060806E	8mm Stem - 6mm Tube O/D	6.0							
PM061006E	10mm Stem - 6mm Tube O/D	6.0	40.5	15.7	15.0	4.8	8.0	18.3	19.1
PM061008E	10mm Stem - 8mm Tube O/D	8.0							
PM061208E	12mm Stem - 8mm Tube O/D	8.0	40.5	16.7	17.8	6.3	10.0	18.2	22.2
PM061210E	12mm Stem - 10mm Tube O/D	10.0							
PM061510E	15mm Stem - 10mm Tube O/D	10.0	50.0	19.7	19.8	7.6	12.0	22.5	27.5
PM061512E	15mm Stem - 12mm Tube O/D	12.0							
PM061815E	18mm Stem - 15mm Tube O/D	15.0	55.3	19.7	19.8	7.6	15.0	22.6	32.7
PM062215E	22mm Stem - 15mm Tube O/D	15.0							
PM062218E	22mm Stem - 18mm Tube O/D	18.0	60.2	25.9	23.0	9.1	15.0	27.7	32.5
			70.5	28.7	26.7	12.1	18.0	34.4	36.1
			69.6	27.8	27.0	12.1	22.0	33.5	36.5
			71.6	31.0	31.1	16.0	22.0	35.5	36.1

Dimensions in mm