

Stem Elbow

Allows for the connection of 2 John Guest fittings to create a swivel type connection

Overview

John Guest stem elbow push-fit fitting connects two John Guest push-fit fittings to create a 90° swivel type connection. Fast and simple to install, John Guest Air and Pneumatics creates an instant connection and airtight seal without the need for tools, hot works or sealing agents. Air piping systems can be set up and installed 50% quicker than traditional methods.

The unique collet locking design firmly and securely holds the pipe in place without deforming the pipe or restricting flow. Fittings are also fully demountable, reducing system downtime during maintenance and making it quick and easy to modify or extend systems.

Designed in tough engineered plastic, fittings are compatible with John Guest nylon, powder coated aluminium or LLDPE tubing, as well as copper, PEXa and other soft metal pipe materials. All John Guest fittings are manufactured and assembled in the UK.



Features & Benefits

- Strong acetal copolymer fitting with nitrile O-Ring
- Airtight connection with superior flow characteristics
- Instant push-fit connection and demountable without tools
- Secure collet cover prevents accidental disconnection
- Suitable for air and pneumatics piping systems up to 10 bar
- Ideal for air, inert gases and vacuum applications
- Food grade fitting suitable for potable liquids
- Compatible with soft metal or plastic pipe/tubing

Product code	Description	Size	Bag QTY
PM221212E	Stem Elbow	12mm x 12mm	10
PM221515E	Stem Elbow	15mm x 15mm	10
PM221818E	Stem Elbow	18mm x 18mm	10
PM222222E	Stem Elbow	22mm x 22mm	10



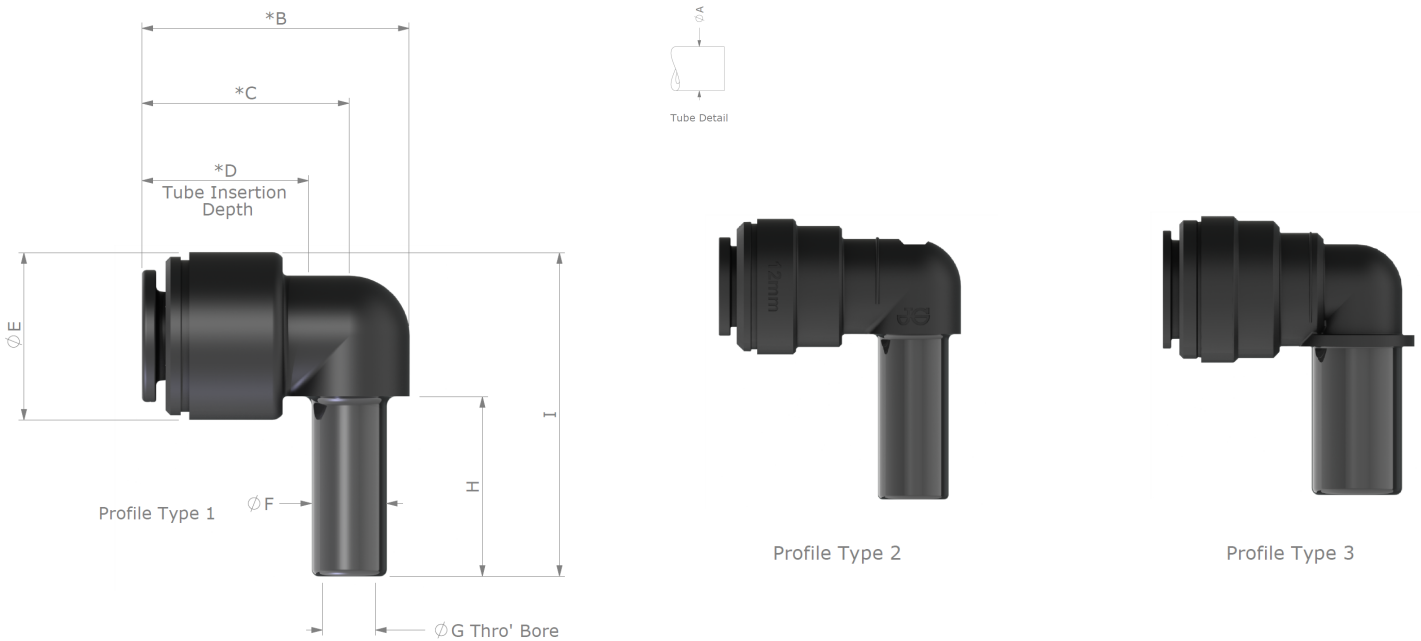
Stem Elbow

Working parameters & specifications

Application	Maximum working pressure, bar
Air	16 Bar (4-8mm) / 10 Bar (8-28mm)

Materials	
Body	Acetal Copolymer (Unfilled), Black
O-Ring	Nitrile, Black
Collet	Acetal Copolymer (Unfilled), Black
Collet Teeth	Stainless Steel 301

Dimensions – All measurements in mm unless otherwise stated



Product No.	Description	A - Tube O/D	B	C	D	E	F	G	H	I	Profile Type	
PM220404E	4mm Stem - 4mm Tube O/D	4mm	+0.05/-0.07	21.9	17.6	14.3	13.0	4.0	2.5	16.5	27.3	1
PM220505E	5mm Stem - 5mm Tube O/D	5mm		21.9	17.6	14.3	13.0	5.0	3.4	16.5	27.3	1
PM220606E	6mm Stem - 6mm Tube O/D	6mm	+0.05/-0.10	24.3	19.6	15.7	15.0	6.0	4.1	18.0	30.2	2
PM220808E	8mm Stem - 8mm Tube O/D	8mm		27.0	21.0	16.7	17.8	8.0	5.6	19.5	34.4	2
PM221010E	10mm Stem - 10mm Tube O/D	10mm		31.7	25.0	19.7	19.9	10.0	7.1	22.2	39.0	2
PM221212E	12mm Stem - 12mm Tube O/D	12mm		39.8	31.7	25.9	23.0	12.0	8.6	28.0	47.6	2
PM221515E	15mm Stem - 15mm Tube O/D	15mm		49.7	42.2	28.7	26.8	15.0	10.4	33.4	58.0	3
PM221818E	18mm Stem - 18mm Tube O/D	18mm		51.0	41.0	31.0	31.3	18.0	13.3	35.0	62.2	3
PM222222E	22mm Stem - 22mm Tube O/D	22mm		56.6	45.6	34.3	35.5	22.0	15.7	36.0	67.5	3