

Straight Adaptor (BSPT Thread) Imperial

Converts an imperial push-fit connection to an imperial threaded connection

Overview

John Guest straight adaptor (BSPT thread) push-fit fitting connects metric pipe or tubing to an imperial BSPT type thread connection. Fast and simple to install, John Guest Air and Pneumatics creates an instant connection and airtight seal without the need for tools, hot works or sealing agents. Air piping systems can be set up and installed 50% quicker than traditional methods.

The unique collet locking design firmly and securely holds the pipe in place without deforming the pipe or restricting flow. Fittings are also fully demountable, reducing system downtime during maintenance and making it quick and easy to modify or extend systems.

Designed in tough engineered plastic, fittings are compatible with John Guest nylon, powder coated aluminium or LLDPE tubing, as well as copper, PEXa and other soft metal pipe materials. All John Guest fittings are manufactured and assembled in the UK.



Features & Benefits

- Plastic push-fit adaptor for connecting to imperial BSPT threads
- Strong acetal copolymer fitting with nitrile O-Ring
- Airtight connection with superior flow characteristics
- Instant push-fit connection and demountable without tools
- Secure collet cover prevents accidental disconnection
- Suitable for air and pneumatics piping systems up to 10 bar
- Ideal for air, inert gases and vacuum applications
- Food grade fitting suitable for potable liquids
- Compatible with soft metal or plastic pipe/tubing

Product code	Description	Size	Bag QTY
PM010401S	Straight Adaptor (BSPT Thread)	5/32" x 1/8"	10
PM010402S	Straight Adaptor (BSPT Thread)	5/32" x 1/4"	10
PI010601S	Straight Adaptor (BSPT Thread)	3/16" x 1/8"	10
PI010602S	Straight Adaptor (BSPT Thread)	3/16" x 1/4"	10
PI010801S	Straight Adaptor (BSPT Thread)	1/4" x 1/8"	10
PI010802S	Straight Adaptor (BSPT Thread)	1/4" x 1/4"	10
PM010801S	Straight Adaptor (BSPT Thread)	5/16" x 1/8"	10
PM010802S	Straight Adaptor (BSPT Thread)	5/16" x 1/4"	10
PM010803S	Straight Adaptor (BSPT Thread)	5/16" x 3/8"	10
PI011202S	Straight Adaptor (BSPT Thread)	3/8" x 1/4"	10
PI011203S	Straight Adaptor (BSPT Thread)	3/8" x 3/8"	10
PI011603S	Straight Adaptor (BSPT Thread)	1/2" x 3/8"	10
PI011604S	Straight Adaptor (BSPT Thread)	1/2" x 1/2"	10



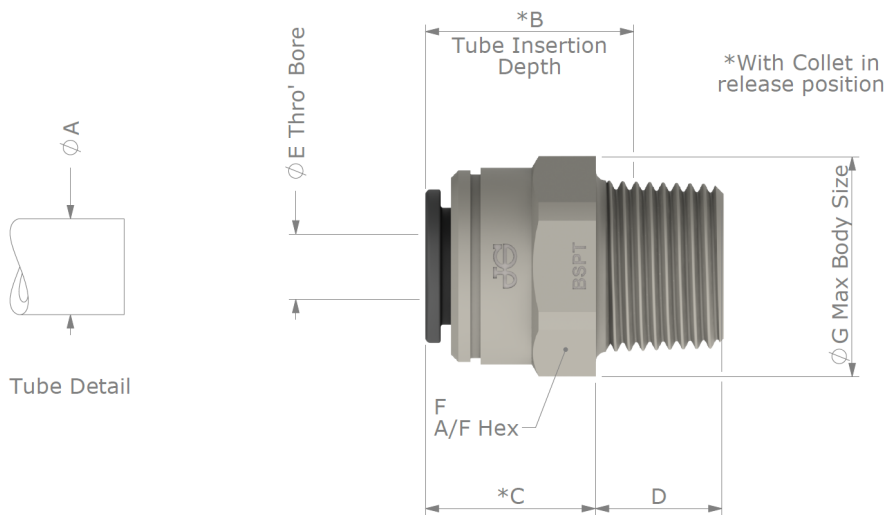
Straight Adaptor (BSPT Thread) Imperial

Working parameters & specifications

Application	Maximum working pressure, bar
Air	16 Bar

Materials	
Body	Plastic
O-Ring	Nitrile, Black
Collet	Acetal Copolymer (Unfilled)
Collet Teeth	Stainless Steel 301

Dimensions – All measurements in mm unless otherwise stated



Product No.	Size	A Tube O/D	B	C	D	E	F	G
PM010401S	5/32" x 1/8 BSPT	0.156 +0.001 / -0.003 [3.97 +0.03 / -0.07]	0.56 [14.3]	0.60 [15.1]	0.40 [10.2]	0.10 [2.5]	0.59 [15.0]	0.66 [16.7]
PM010402S	5/32" x 1/4 BSPT		0.56 [14.3]	0.56 [14.1]	0.44 [11.2]	0.10 [2.5]	0.67 [17.0]	0.72 [18.3]
PI010601S	3/16" x 1/8 BSPT	0.188 +0.001 / -0.003 [4.76 +0.03 / -0.07]	0.56 [14.3]	0.60 [15.1]	0.40 [10.2]	0.12 [3.0]	0.59 [15.0]	0.66 [16.7]
PI010602S	3/16" x 1/4 BSPT		0.55 [14.0]	0.56 [14.1]	0.44 [11.2]	0.12 [3.0]	0.67 [17.0]	0.72 [18.3]
PI010801S	1/4" x 1/8 BSPT	0.250 +0.001 / -0.004 [6.35 +0.03 / -0.10]	0.62 [15.7]	0.54 [13.7]	0.40 [10.2]	0.15 [3.8]	0.67 [17.0]	0.72 [18.3]
PI010802S	1/4" x 1/4 BSPT		0.62 [15.7]	0.54 [13.7]	0.44 [11.2]	0.18 [4.5]	0.67 [17.0]	0.72 [18.3]
PM010801S	5/16" x 1/8 BSPT	0.313 +0.001 / -0.004 [7.94 +0.03 / -0.10]	0.66 [16.7]	0.73 [18.5]	0.40 [10.2]	0.16 [4.1]	0.67 [17.0]	0.72 [18.3]
PM010802S	5/16" x 1/4 BSPT		0.66 [16.7]	0.55 [14.0]	0.44 [11.2]	0.25 [6.3]	0.67 [17.0]	0.72 [18.3]
PM010803S	5/16" x 3/8 BSPT		0.66 [16.7]	0.56 [14.2]	0.50 [12.7]	0.27 [6.8]	0.79 [20.0]	0.86 [21.8]
PI011202S	3/8" x 1/4 BSPT	0.375 +0.001 / -0.004 [9.53 +0.03 / -0.10]	0.78 [19.7]	0.84 [21.2]	0.44 [11.2]	0.23 [5.8]	0.79 [20.0]	0.86 [21.8]
PI011203S	3/8" x 3/8 BSPT		0.78 [19.7]	0.68 [17.2]	0.50 [12.7]	0.26 [6.5]	0.79 [20.0]	0.86 [21.8]
PI011603S	1/2" x 3/8 BSPT	0.500 +0.001 / -0.004 [12.70 +0.03 / -0.10]	0.91 [23.0]	1.06 [26.9]	0.50 [12.7]	0.34 [8.6]	0.94 [24.0]	1.03 [26.3]
PI011604S	1/2" x 1/2 BSPT		0.91 [23.0]	0.71 [18.0]	0.63 [16.0]	0.34 [8.6]	0.94 [24.0]	1.03 [26.3]