

Straight Adaptor (Metric Thread)

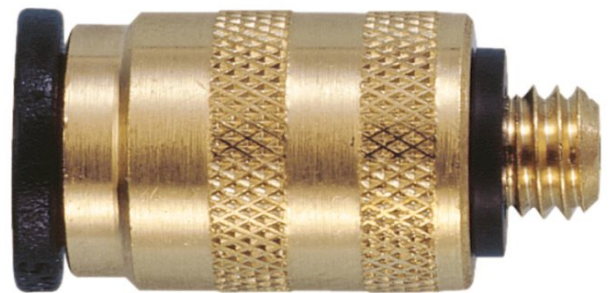
Converts a metric pushfit connection to a threaded BSP type connection

Overview

John Guest brass straight adaptor (metric thread) push-fit fitting converts a metric push-fit connection to a threaded BSP type connection. Fast and simple to install, John Guest Air and Pneumatics creates an instant connection and airtight seal without the need for tools, hot works or sealing agents. Air piping systems can be set up and installed 50% quicker than traditional methods.

The unique collet locking design firmly and securely holds the pipe in place without deforming the pipe or restricting flow. Fittings are also fully demountable, reducing system downtime during maintenance and making it quick and easy to modify or extend systems.

Designed in brass, fittings are compatible with John Guest nylon, powder coated aluminium or LLDPE tubing, as well as copper, PEXa and other soft metal pipe materials. All John Guest fittings are manufactured and assembled in the UK.



Features & Benefits

- Push-fit adaptor for connecting metric threads
- Brass fitting with nitrile O-Ring
- Airtight connection with superior flow characteristics
- Instant push-fit connection and demountable without tools
- Secure collet cover prevents accidental disconnection
- Suitable for air and pneumatics piping systems up to 10 bar
- Ideal for air, inert gases and vacuum applications
- Food grade fitting suitable for potable liquids
- Compatible with soft metal or plastic pipe/tubing

Product code	Description	Size	Bag QTY
RM0104M5	Straight Adaptor (Metric Thread)	4mm x M5	10
RM0105M5	Straight Adaptor (Metric Thread)	5mm x M5	10
RM0106M5	Straight Adaptor (Metric Thread)	6mm x M5	10



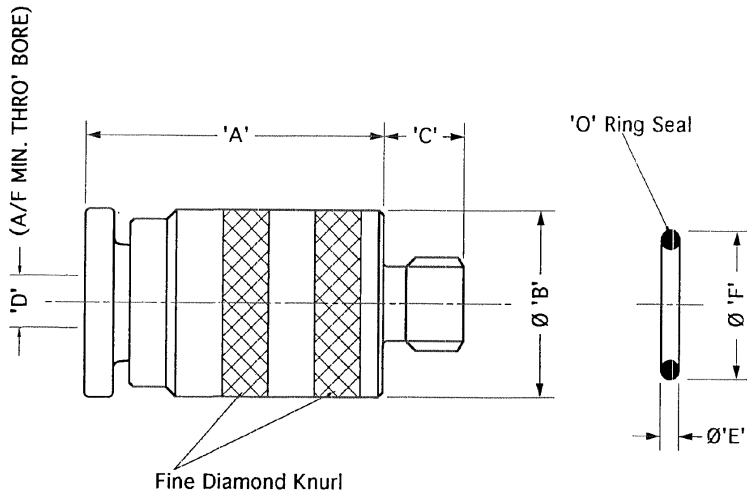
Straight Adaptor (Metric Thread)

Working parameters & specifications

Application	Maximum working pressure, bar
Air	16 Bar

Materials	
Body	Brass
O-Ring	Nitrile, Black
Collet	Acetal Copolymer (Unfilled), Black
Collet Teeth	Stainless Steel 301

Dimensions – All measurements in mm unless otherwise stated



Part No	Description	A	ØB	C	ØD	ØE	ØF
RM0104M5	4mm x M5	15.9	10.1	3.5	2.5	1.0	7.0
RM0104M5N	4mm x M5	15.9	10.1	3.5	2.5	1.0	7.0
RM0105M5	5mm x M5	15.9	10.1	3.5	2.5	1.0	7.0
RM0105M5N	5mm x M5	15.9	10.1	3.5	2.5	1.0	7.0
RM0106M5	6mm x M5	17.6	13.0	3.5	2.5	1.0	7.0
RM0106M5	6mm x M5	17.6	13.0	3.5	2.5	1.0	7.0