

Straight Adaptor (Super Thread) Metric

Converts a metric pushfit connection to a threaded BSP type connection

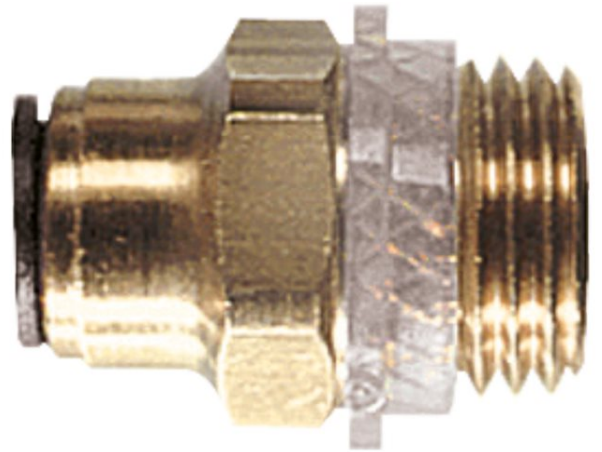
Overview

John Guest brass straight adaptor (metric - Super Thread) push-fit fitting connects metric pipe or tubing to a BSP type threaded connection. It has a unique thread with integral seal suitable for five different thread forms.

Fast and simple to install, John Guest Air and Pneumatics creates an instant connection and airtight seal without the need for tools, hot works or sealing agents. Air piping systems can be set up and installed 50% quicker than traditional methods.

The unique collet locking design firmly and securely holds the pipe in place without deforming the pipe or restricting flow. Fittings are also fully demountable, reducing system downtime during maintenance and making it quick and easy to modify or extend systems.

Designed in brass, fittings are compatible with John Guest nylon, powder coated aluminium or LLDPE tubing, as well as copper, PEXa and other soft metal pipe materials. All John Guest fittings are manufactured and assembled in the UK.



Features & Benefits

- Thread with integral seal suitable for five different thread forms
- Brass fitting with nitrile O-Ring
- Airtight connection with superior flow characteristics
- Instant push-fit connection and demountable without tools
- Secure collet cover prevents accidental disconnection
- Suitable for air and pneumatics piping systems up to 10 bar
- Ideal for air, inert gases and vacuum applications
- Food grade fitting suitable for potable liquids
- Compatible with soft metal or plastic pipe/tubing

Product code	Description	Size	Bag QTY
RM010411	Straight Adaptor (Super Thread)	4mm x 1/8"	10
RM010412	Straight Adaptor (Super Thread)	4mm x 1/4"	10
RM010511	Straight Adaptor (Super Thread)	5mm x 1/8"	10
RM010512	Straight Adaptor (Super Thread)	5mm x 1/4"	10
RM010611	Straight Adaptor (Super Thread)	6mm x 1/8"	10
RM010612	Straight Adaptor (Super Thread)	6mm x 1/4"	10
RM010811	Straight Adaptor (Super Thread)	8mm x 1/8"	10
RM010812	Straight Adaptor (Super Thread)	8mm x 1/4"	10
RM011012	Straight Adaptor (Super Thread)	10mm x 1/4"	10
RM011013	Straight Adaptor (Super Thread)	10mm x 1/8"	10
RM011014	Straight Adaptor (Super Thread)	10mm x 1/2"	10
RM011213	Straight Adaptor (Super Thread)	12mm x 3/8"	10
RM011214	Straight Adaptor (Super Thread)	12mm x 1/2"	10



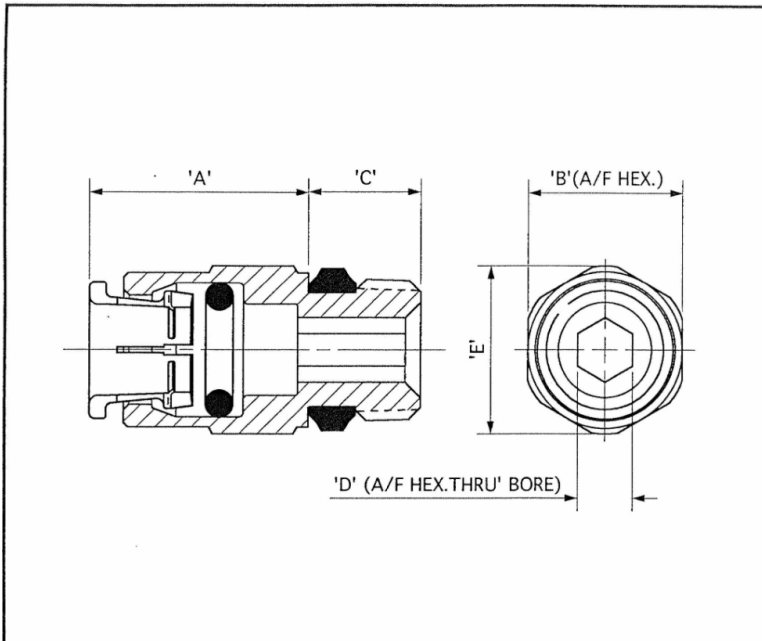
Straight Adaptor (Super Thread) Metric

Working parameters & specifications

Application	Maximum working pressure, bar
Air	16 Bar

Materials	
Body	Brass
O-Ring	Nitrile, Black
Collet	Acetal Copolymer (Unfilled), Black
Collet Teeth	Stainless Steel 301

Dimensions – All measurements in mm unless otherwise stated



RM011214	12	1/2	21.0	22.0	11.0	10.0	24.0
RM011213	12	3/8	29.0	19.0	10.0	8.0	20.8
RM011014	10	1/2	15.4	22.0	11.0	8.0	24.0
RM011013	10	3/8	16.0	17.0	10.0	8.0	18.5
RM011012	10	1/4	23.0	17.0	10.0	7.0	18.5
RM010813	8	3/8	15.0	17.0	10.0	6.0	18.5
RM010812	8	1/4	19.5	14.0	10.0	5.0	15.3
RM010811	8	1/8	19.3	14.0	7.1	4.0	15.3
RM010612	6	1/4	13.5	14.0	10.0	5.0	15.3
RM010611	6	1/8	14.0	12.0	7.1	4.0	13.1
RM010512	5	1/4	12.5	14.0	10.0	4.0	15.3
RM010511	5	1/8	13.0	12.0	7.1	4.0	13.1
RM010412	4	1/4	9.5	14.0	10.0	3.0	15.3
RM010411	4	1/8	12.3	11.0	7.1	3.0	12.4
PART No.	TUBE O/D.	THREAD BSPT.	DIM.'A'	DIM.'B'	DIM.'C'	DIM.'D'	DIM.'E'

ALL DIMS ARE IN mm