

# JG MultiLayer<sup>®</sup> Universal Connector

A professional alternative to the makeshift methods of connecting multilayer pipe of differing internal and external diameters.

## Overview

Providing a quick push-fit method for repairing, adding to existing, or installing new composite pipe systems, the JG MultiLayer Universal Connector has been designed to accommodate any aluminium multilayer pipe of differing internal and external diameters.

In the occurrence of a leak or in the necessity of a refurbishment project, the Universal Connector gives the installer superior flexibility in fixing or renovating the system efficiently and on time, making it a highly engineered solution for all modern plumbing professionals.

Supplied with a number of tube supports to suit a wide range of internal diameter pipes, the product provides a quick and secure connection thanks to the inbuilt push-fit technology, further enhanced by the leak proof properties of the internal O-Ring seals.

## Features

- Push-fit action - provides instant connection
- Colour coded tube supports - accommodate various pipe internal diameters
- Viewing window – reassuring installers of a secure and durable connection
- Collet – stainless steel teeth can lock in place any brand of pipe

## Benefits

- Straightforward solution for complicated installation scenarios
- Secure connection for extra peace of mind
- Robust and durable materials with a 25 year guarantee
- Fast, tool free connection for hard to reach areas

## Product code

## Size

DS-ACURS16	16 mm
DS-ACURS20	20 mm
DS-ACURS26	25/26 mm



\*Against material defects

[johnquestmultilayer.com](http://johnquestmultilayer.com) | +44 (0) 1895 449233

Complies with relevant clauses of DVGW W534 and DIN EN ISO 21003, as well as KTW and DVGW W270 regulations for drinking water.

# JG MultiLayer® Universal Connector (16, 20, 25/26mm)

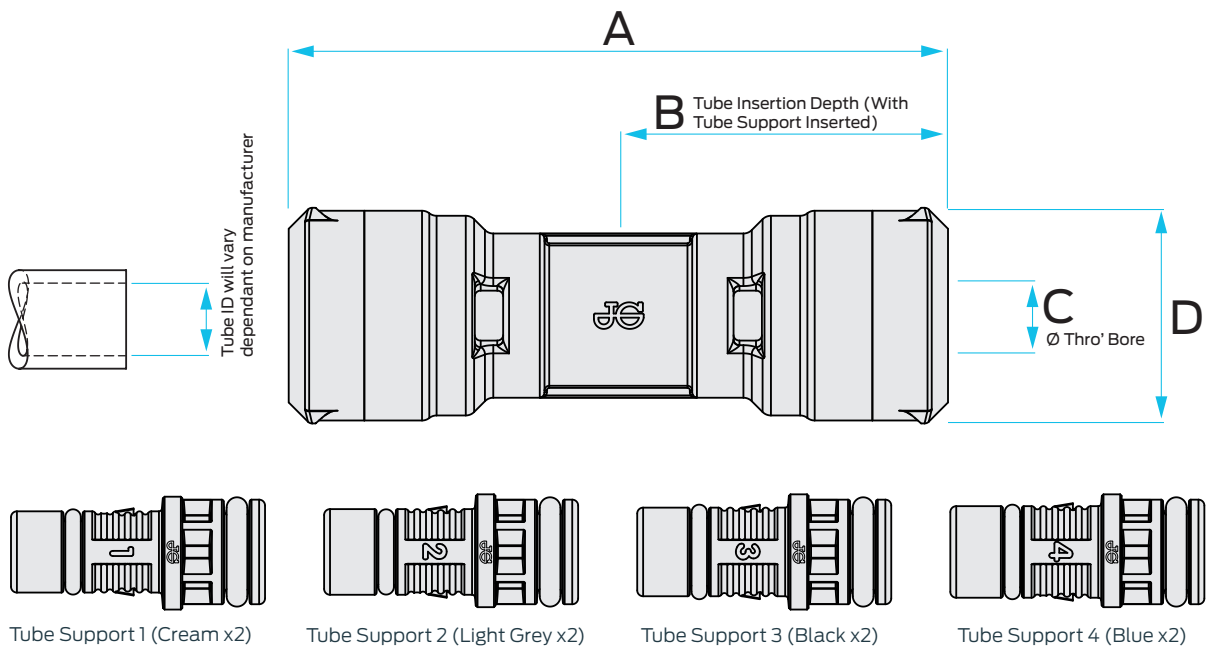
Working parameters & specifications	
Water:	6 bar at 80°C, 10 bar at 70°C and 20 bar at 20°C
Minimum Service Temperature:	1 °C
Maximum Service Temperature:	90 °C

Applications	
Domestic Hot & Cold Water	✓
Central Heating	✓

Materials	
Body	Polyphenylsulphone (Unfilled), Light Grey
Preload Spring & Collet Cover	Acetal Copolymer (Unfilled), White
Collet	Nylon 12 (Glass Filled), White & Stainless Steel
O-Rings	EPDM (Ethylene Propylene), Black
ID Tube Support 1*	Polyphenylsulphone (Unfilled), Cream
ID Tube Support 2*	Polyphenylsulphone (Unfilled), Light Grey
ID Tube Support 3	Polyphenylsulphone (Unfilled), Black
ID Tube Support 4	Polyphenylsulphone (Unfilled), Blue

\*For Universal Connector 25/26mm Tube Support 1 is Cream and Tube Support 2 is Blue.

**Dimensions** – All measurements in mm unless otherwise stated



\*For Universal Connector 25/26mm Tube Support 1 is Cream and Tube Support 2 is Blue.

Product	A	B	C	D
DS-ACURS16	99	48.8	7.4	32.5
DS-ACURS20	111.6	54.8	9.3	36.5
DS-ACURS26	117.1	57.5	11.2	41.8

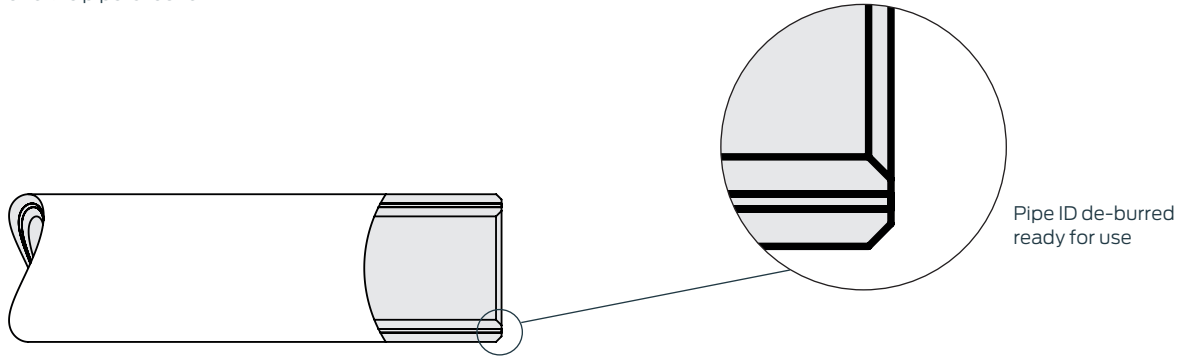
A suitable tube support must be selected based upon tube ID

# JG MultiLayer® Universal Connector (16, 20, 25/26mm)

## Installation Guide

### 1 - Pipe Preparation

Depressurise system. Cut into system and prepare the cut end using an appropriate pipe preparation tool, ensuring the front face is cut square and the pipe is round.



### 2 - Select Appropriate Tube Support

Select a tube support that will fit into the tube with a firm hand assembly. To do this, it is advised that the largest tube support is inserted first. If this one does not fit, then try the others in descending order. Insert the selected tube support into the tube as shown below. To aid tube support selection, refer to table for tube internal diameters.

DS-ACURS16	Colour	Tube ID
1	Cream	Ø 10.40 - Ø 11.00
2	Light Grey	Ø 11.00 - Ø 11.65
3	Black	Ø 11.65 - Ø 12.30
4	Blue	Ø 12.30 - Ø 13.00

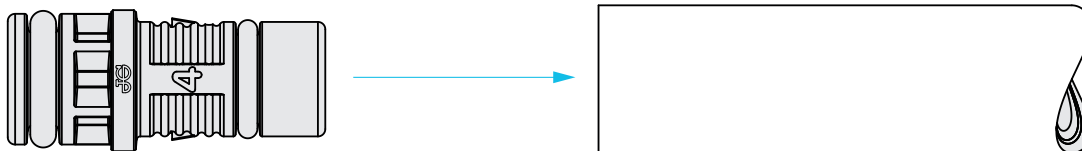
\*Outer pipe diameters – min 15.80mm; max 17.20mm

DS-ACURS20	Colour	Tube ID
1	Cream	Ø 13.85 - Ø 14.50
2	Light Grey	Ø 14.50 - Ø 15.00
3	Black	Ø 15.00 - Ø 15.50
4	Blue	Ø 15.50 - Ø 16.00

\*Outer pipe diameters – min 19.80mm; max 21.20mm

DS-ACURS26	Colour	Tube ID
1	Cream	Ø 17.30 - Ø 17.90
2	Blue	Ø 19.60 - Ø 20.20

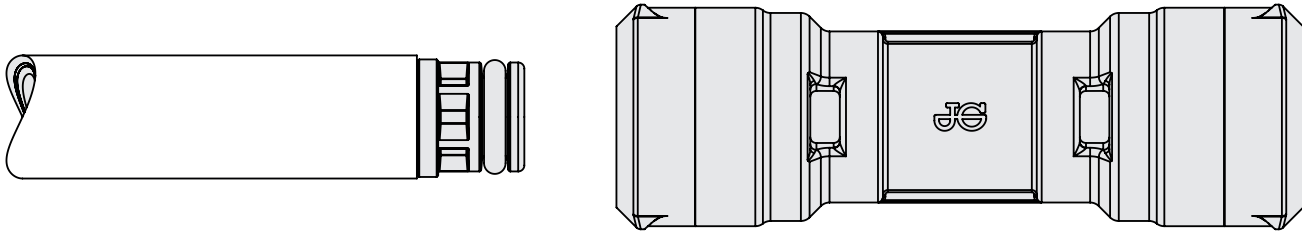
\*Outer pipe diameters – min 24.70mm; max 26.30mm



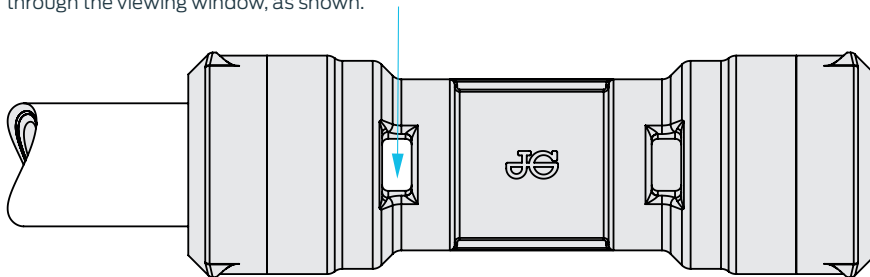
# JG MultiLayer® Universal Connector (16, 20, 25/26mm)

## 3 - Pipe Insertion

Push the connector onto the pipe, ensuring the tube support is fully inserted into the fitting and is pushed against the stop.



When fully engaged the pipe should be visible through the viewing window, as shown.



## Disassembly

- 1 - Remove the collet cover from the connector.
- 2 - Depress the collet head and remove the connector from the pipe.

