

Acetal Tap Adaptor Metric to BSP Thread

**Quickly and securely connect metric sized pipe/
tube to a BSP type male threaded connection**

Overview

John Guest push-fit acetal female adaptor (BSP thread) fitting connects metric sized pipework to a BSP type fitting. Fast and simple to install, John Guest push-fit fittings create an instant push-fit connection and leak tight seal without the need for tools, hot works or sealing agents.

The unique collet locking design firmly and securely holds the pipe in place without deforming the pipe or restricting flow. Fittings are corrosion resistant and fully demountable, improving system performance and reducing system downtime during maintenance.

Manufactured in acetal copolymer, the fitting is suitable for water, potable liquids and intermittent hot water applications (up to 65°C max). All John Guest fittings are manufactured and assembled in the UK.



Features & Benefits

- Rigid and hardwearing acetal copolymer material with EDPM O-Ring
- Suitable for potable water, intermittent hot water applications (up to 65°C max), water treatment and purification applications (not suitable for air, pneumatic or vacuum applications)
- Instant push-fit connection and leak tight seal
- Connect, disconnect and reconnect in seconds without tools
- No scale build up improves performance and equipment lifespan
- Superior flow characteristics
- Compatible with LLDPE or soft metal pipe/tubing

| Product code | Description | Size |
|--------------|-------------|-------------|
| CM320616E | Tap Adaptor | 6mm x 3/4" |
| CM320816E | Tap Adaptor | 8mm x 3/4" |
| CM321014E | Tap Adaptor | 10mm x 1/2" |
| CM321216E | Tap Adaptor | 12mm x 3/4" |



Acetal Tap Adaptor Metric to BSP Thread

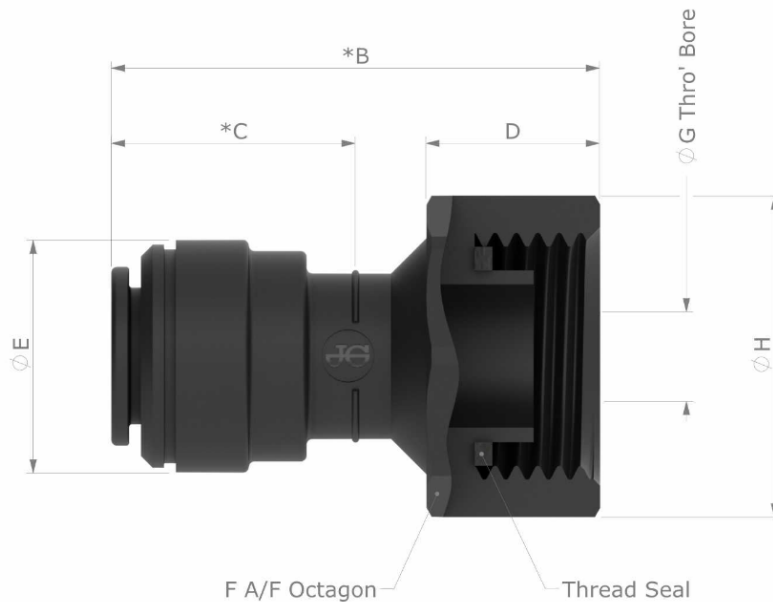
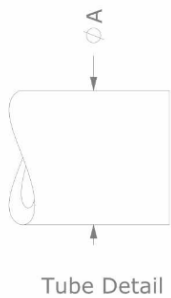
| | | |
|----------------|--|--------------------------------------|
| | Maximum & Minimum Temperature | Maximum working pressure, bar |
| Potable Liquid | 1°C -65°C | 10 Bar (7 Bar @ 65°C) |

| Materials | |
|--------------|-----------------------------------|
| Body | Acetal Copolymer (Unfilled) White |
| O-Ring | EPDM, Black |
| Collet | Acetal Copolymer (Unfilled) |
| Collet Teeth | Stainless Steel 301 |

| Application |
|---|
| Potable Liquid |
| Water Purification |
| Water Treatment |
| Intermittent Hot Water (up to 65C) |
| INot Suitable for Air or Vacuum Applications |

Dimensions – All measurements in mm unless otherwise stated

*With Collet in release position



| Product Number | Size | Body Colour | Collet Colour | A Tube O/D | B | C | D | E | F | G | H |
|----------------|----------------|-------------|---------------|---------------------|------|------|------|------|------|------|------|
| CM3201S | 15mm x 1/2 BSP | Light Grey | Dark Grey | 15.00 +0.05 / -0.10 | 52.0 | 28.7 | 21.1 | 27.3 | 26.0 | 12.1 | 27.3 |
| CM320616E | 6mm x 3/4 BSP | Black | Black | 6.00 +0.05 / -0.10 | 33.8 | 15.7 | 14.7 | 15.0 | 33.0 | 5.3 | 34.5 |
| CM320816E | 8mm x 3/4 BSP | Black | Black | 8.00 +0.05 / -0.10 | 36.0 | 16.7 | 14.7 | 17.8 | 33.0 | 6.3 | 34.5 |
| CM320816FE | 8mm x 3/4 BSP | Black | Black | 8.00 +0.05 / -0.10 | 36.0 | 16.7 | 14.6 | 17.8 | 33.0 | 6.3 | 34.3 |
| CM321014E | 10mm x 1/2 BSP | Black | Black | 10.00 +0.05 / -0.10 | 40.4 | 19.7 | 14.5 | 19.8 | 26.0 | 7.6 | 27.3 |
| CM321216E | 12mm x 3/4 BSP | Black | Black | 12.00 +0.05 / -0.10 | 45.4 | 25.9 | 14.7 | 23.0 | 33.0 | 8.6 | 34.5 |

Dimensions in mm