

# Acetal Tap Adaptor Metric to UNS Thread

**Quickly and securely connect metric sized pipe/tube to a UNS type male threaded connection**

## Overview

John Guest push-fit acetal female adaptor (UNS thread) fitting connects metric sized pipework to a UNS type fitting. Fast and simple to install, John Guest push-fit fittings create an instant push-fit connection and leak tight seal without the need for tools, hot works or sealing agents.

The unique collet locking design firmly and securely holds the pipe in place without deforming the pipe or restricting flow. Fittings are corrosion resistant and fully demountable, improving system performance and reducing system downtime during maintenance.

Manufactured in acetal copolymer, the fitting is suitable for water, potable liquids and intermittent hot water applications (up to 65°C max). All John Guest fittings are manufactured and assembled in the UK.



## Features & Benefits

- Rigid and hardwearing acetal copolymer material with EDPM O-Ring
- Suitable for potable water, intermittent hot water applications (up to 65°C max), water treatment and purification applications (not suitable for air, pneumatic or vacuum applications)
- Instant push-fit connection and leak tight seal
- Connect, disconnect and reconnect in seconds without tools
- No scale build up improves performance and equipment lifespan
- Superior flow characteristics
- Compatible with LLDPE or soft metal pipe/tubing

Product code	Description	Size
CM3210U7E	Tap Adaptor	10mm x 7/16 - 24



# Acetal Tap Adaptor Metric to UNS Thread

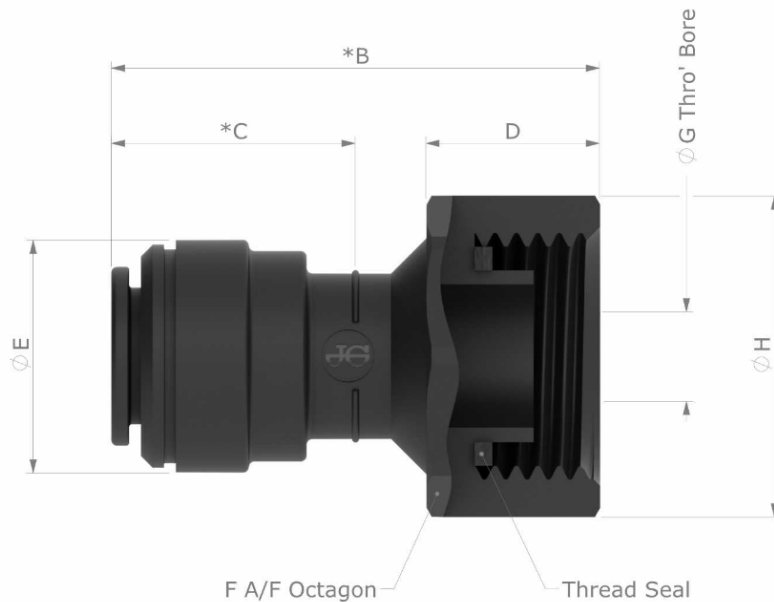
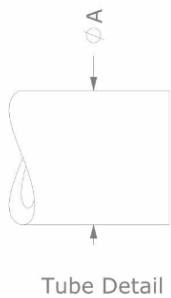
	<b>Maximum &amp; Minimum Temperature</b>	<b>Maximum working pressure, bar</b>
Potable Liquid	1°C -65°C	10 Bar (7 Bar @ 65°C)

Materials	
Body	Acetal Copolymer (Unfilled) White
O-Ring	EPDM, Black
Collet	Acetal Copolymer (Unfilled)
Collet Teeth	Stainless Steel 301

Application
Potable Liquid
Water Purification
Water Treatment
Intermittent Hot Water (up to 65C)
<b>INot Suitable for Air or Vacuum Applications</b>

**Dimensions** – All measurements in mm unless otherwise stated

\*With Collet in release position



Product Number	Size	Body Colour	Collet Colour	A Tube O/D	B	C	D	E	F	G	H
CM3201S	15mm x 1/2 BSP	Light Grey	Dark Grey	15.00 +0.05 / -0.10	52.0	28.7	21.1	27.3	26.0	12.1	27.3
CM320616E	6mm x 3/4 BSP	Black	Black	6.00 +0.05 / -0.10	33.8	15.7	14.7	15.0	33.0	5.3	34.5
CM320816E	8mm x 3/4 BSP	Black	Black	8.00 +0.05 / -0.10	36.0	16.7	14.7	17.8	33.0	6.3	34.5
CM320816FE	8mm x 3/4 BSP	Black	Black	8.00 +0.05 / -0.10	36.0	16.7	14.6	17.8	33.0	6.3	34.3
CM321014E	10mm x 1/2 BSP	Black	Black	10.00 +0.05 / -0.10	40.4	19.7	14.5	19.8	26.0	7.6	27.3
CM321216E	12mm x 3/4 BSP	Black	Black	12.00 +0.05 / -0.10	45.4	25.9	14.7	23.0	33.0	8.6	34.5

Dimensions in mm