

Black Acetal Swivel Elbow (BSP Thread)

Connects imperial sized pipe to form a swivel type 90 degree pipe bend

Overview

John Guest swivel elbow (BSP thread) push-fit fitting connects metric to a FBSP thread connection to form a 90° swivel type connection. Fast and simple to install, John Guest Air and Pneumatics creates an instant connection and airtight seal without the need for tools, hot works or sealing agents. Air piping systems can be set up and installed 50% quicker than traditional methods.

The unique collet locking design firmly and securely holds the pipe in place without deforming the pipe or restricting flow. Fittings are also fully demountable, reducing system downtime during maintenance and making it quick and easy to modify or extend systems.

Designed in tough engineered plastic, fittings are compatible with John Guest nylon, powder coated aluminium or LLDPE tubing, as well as copper, PEXa and other soft metal pipe materials. All John Guest fittings are manufactured and assembled in the UK

Features & Benefits

- Strong acetal copolymer fitting with nitrile O-Ring
- Airtight connection with superior flow characteristics
- Instant push-fit connection and demountable without tools
- Secure collet cover prevents accidental disconnection
- Suitable for air and pneumatics piping systems up to 10 bar
- Ideal for air, inert gases and vacuum applications
- Food grade fitting suitable for potable liquids
- Compatible with soft metal or plastic pipe/tubing



Product code	Description	Size	Bag QTY
PM090411E	Swivel Elbow (BSP Thread)	4mm X 1/8"	10
PM090412E	Swivel Elbow (BSP Thread)	4mm X 1/4"	10
PM090511E	Swivel Elbow (BSP Thread)	5mm X 1/8"	10
PM090512E	Swivel Elbow (BSP Thread)	5mm X 1/4"	10
PM090611E	Swivel Elbow (BSP Thread)	6mm X 1/8"	10
PM090612E	Swivel Elbow (BSP Thread)	6mm X 1/4"	10
PM090811E	Swivel Elbow (BSP Thread)	8mm X 1/8"	10
PM090812E	Swivel Elbow (BSP Thread)	8mm X 1/4"	10
PM090813E	Swivel Elbow (BSP Thread)	8mm X 3/8"	10
PM091012E	Swivel Elbow (BSP Thread)	10mm X 1/4"	10
PM091013E	Swivel Elbow (BSP Thread)	10mm X 3/8"	10
PM091014E	Swivel Elbow (BSP Thread)	10mm X 1/2"	10
PM091213E	Swivel Elbow (BSP Thread)	12mm X 3/8"	10
PM091214E	Swivel Elbow (BSP Thread)	12mm X 1/2"	10



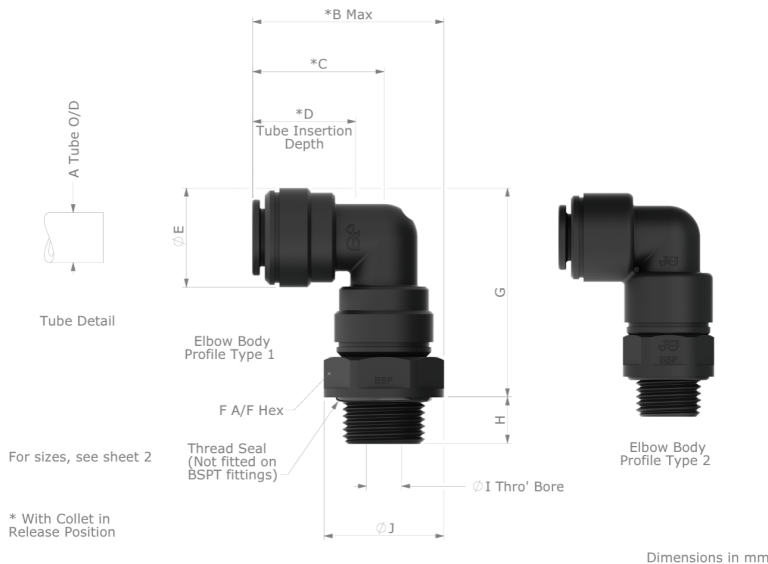
Black Acetal Swivel Elbow (BSP Thread)

	Maximum & Minimum Temperature	Maximum working pressure, bar
Potable Liquid	1°C -65°C	10 Bar (7 Bar @ 65°C)

Materials	
Body	Acetal Copolymer (Unfilled)
O-Ring	EPDM, Black
Collet	Acetal Copolymer (Unfilled)
Collet Teeth	Stainless Steel 301

Application
Potable Liquid
Water Purification
Water Treatment
Intermittent Hot Water (up to 65C)
Suitable for Inert Gases & Vacuum Applications

Dimensions – All measurements in mm unless otherwise stated



Dimensions in mm

Product No.	Description	A - Tube O/D	B	C	D	E	F	G	H	I	J	Elbow Body Profile Type
PM090411E	4mm x 1/8 BSP	4mm	25.3	17.6	14.3	13.0	14.0	31.9	5.5	2.5	15.4	2
PM090412E	4mm x 1/4 BSP	4mm					17.0	32.4	8.0	2.5	18.3	2
PM090511E	5mm x 1/8 BSP	5mm	25.3	17.6	14.3	13.0	14.0	31.9	5.5	3.4	15.4	2
PM090512E	5mm x 1/4 BSP	5mm					17.0	32.4	8.0	3.4	18.3	2
PM090611E	6mm x 1/8 BSP	6mm	27.5	19.6	15.7	15.0	15.0	35.0	5.5	4.1	15.8	2
PM090612E	6mm x 1/4 BSP	6mm					17.0	35.5	8.0	4.1	18.3	2
PM090811E	8mm x 1/8 BSP	8mm	29.9	21.0	16.7	17.8	17.0	37.8	5.5	4.1	17.8	2
PM090812E	8mm x 1/4 BSP	8mm					17.0	38.3	8.0	5.6	18.3	2
PM090813E	8mm x 3/8 BSP	8mm	33.1				22.0	38.0	9.3	5.6	24.1	2
PM091012E	10mm x 1/4 BSP	10mm	36.3	25.4	19.7	19.9	20.0	43.7	8.0	7.1	21.8	1
PM091013E	10mm x 3/8 BSP	10mm					22.0	43.4	9.3	7.0	24.1	1
PM091014E	10mm x 1/2 BSP	10mm	40.3				27.0	43.7	12.5	7.1	29.8	1
PM091213E	12mm x 3/8 BSP	12mm	45.7	32.5	25.9	23.0	24.0	52.1	9.3	8.6	26.4	1
PM091214E	12mm x 1/2 BSP	12mm					27.0	52.4	12.5	8.6	29.8	1