

Grey Acetal Female Adaptor Cone End (BSP Thread)

Quickly and securely converts a push-fit connection to a BSP type female cone end connection

Overview

John Guest push-fit female adaptor cone end (BSP thread) fitting connects pipe/tubing to a MBSP type threaded connection. Fast and simple to install, John Guest push-fit fittings create an instant push-fit connection and leak tight seal without the need for tools, hot works or sealing agents.

The unique collet locking design firmly and securely holds the pipe in place without deforming the pipe or restricting flow. Fittings are corrosion resistant and fully demountable, improving system performance and reducing system downtime during maintenance.

Manufactured in grey push-fit acetal copolymer, the fitting is suitable for foodstuff, potable liquids and inert gases. In accordance with the British Beer & Pub Association Code of Practice, fittings can also be used with N₂/CO₂ and mixed gas dispense lines, as well as air, pneumatic and vacuum applications. All John Guest fittings are manufactured and assembled in the UK.



Features & Benefits

- Strong acetal copolymer fitting with nitrile O-Ring
- Airtight connection with superior flow characteristics
- Instant push-fit connection and demountable without tools
- Secure collet cover prevents accidental disconnection
- Suitable for air and pneumatics piping systems up to 10 bar
- Ideal for air, inert gases and vacuum applications
- Food grade fitting suitable for potable liquids
- Compatible with soft metal or plastic pipe/tubing

Product code	Description	Size	Bag QTY
PI451014CS	Female Adaptor (BSP Thread - Cone End)	5/16" x 1/2"	10
PI451015CS	Female Adaptor (BSP Thread - Cone End)	5/16" x 3/8"	10
PI451214CS	Female Adaptor (BSP Thread - Cone End)	3/8" x 1/2"	10
PI451215CS	Female Adaptor (BSP Thread - Cone End)	3/8" x 5/8"	10
PI451614CS	Female Adaptor (BSP Thread - Cone End)	1/2" x 1/2"	10
PI451615CS	Female Adaptor (BSP Thread - Cone End)	1/2" x 5/8"	10
PI451616CS	Female Adaptor (BSP Thread - Cone End)	1/2" x 3/4"	10



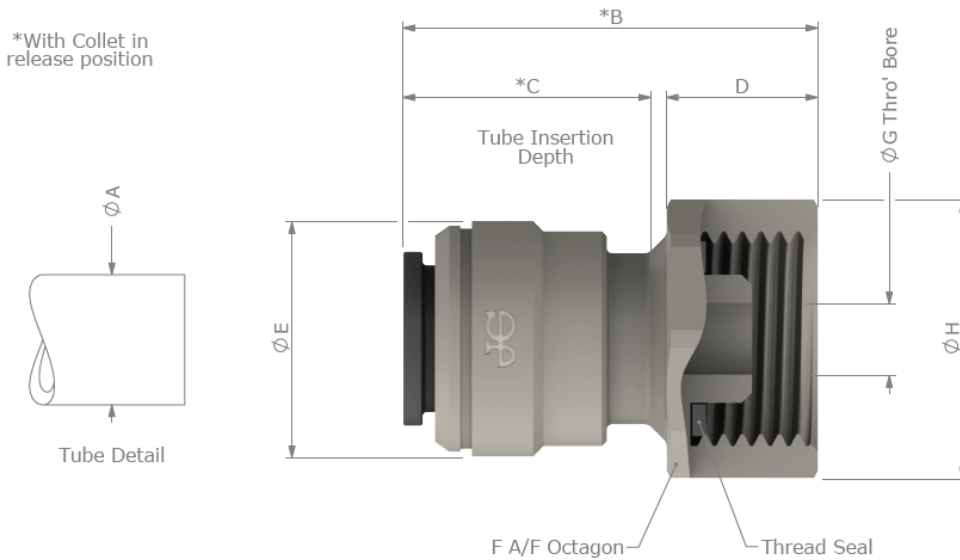
Grey Acetal Female Adaptor Cone End (BSP Thread)

Application	Maximum working pressure, bar
Air	16 Bar

Materials	
Body	Acetal Copolymer (Unfilled)
O-Ring	Nitrile, Black
Collet	Acetal Copolymer (Unfilled)
Collet Teeth	Stainless Steel 301
Thread Seal	EPDM

Application
Potable Liquid
Food Grade Liquid
Inert Gases
Vacuum

Dimensions – All measurements in mm unless otherwise stated



Product No.	Size	A Tube O/D	B	C	D	E	F	G	H
PI451014CS	5/16" x 1/2 BSP	0.313 +0.001 / -0.004 [7.94 +0.03 / -0.10]	1.57 [39.8]	0.75 [19.0]	0.58 [14.8]	0.78 [19.8]	1.02 [26.0]	0.25 [6.3]	1.07 [27.3]
PI451015CS	5/16" x 5/8 BSP		1.57 [39.8]	0.75 [19.0]	0.58 [14.8]	0.78 [19.9]	1.10 [28.0]	0.21 [5.3]	1.15 [29.3]
PI451214CS	3/8" x 1/2 BSP	0.375 +0.001 / -0.004 [9.53 +0.03 / -0.10]	1.59 [40.5]	0.78 [19.7]	0.58 [14.8]	0.78 [19.8]	1.02 [26.0]	0.28 [7.0]	1.06 [27.0]
PI451215CS	3/8" x 5/8 BSP		1.59 [40.5]	0.78 [19.7]	0.58 [14.8]	0.78 [19.9]	1.10 [28.0]	0.28 [7.0]	1.15 [29.3]
PI451614CS	1/2" x 1/2 BSP	0.500 +0.001 / -0.004 [12.70 +0.03 / -0.10]	1.55 [39.3]	0.91 [23.0]	0.58 [14.8]	0.91 [23.0]	1.02 [26.0]	0.28 [7.0]	1.07 [27.2]
PI451615CS	1/2" x 5/8 BSP		1.48 [37.5]	0.91 [23.0]	0.57 [14.5]	0.91 [23.0]	1.10 [28.0]	0.37 [9.5]	1.15 [29.3]
PI451616CS	1/2" x 3/4 BSP		1.67 [42.5]	0.91 [23.0]	0.57 [14.5]	0.91 [23.2]	1.30 [33.0]	0.38 [9.6]	1.36 [34.5]