

Grey Acetal Angled Stop Valve

Quickly and safely isolates a fixture or appliance via an integrated full bore 1/4 turn valve

Overview

John Guest grey push-fit acetal angled stop valve isolates supply to an appliance or fixture with 1/4 turn handle. The valve includes a full-bore mechanism, especially designed for brewing and soft drinks as well as potable water, air and inert gases such as N₂/CO₂ (up to 50°C max and in accordance with The British Beer and Pub Association Code of Practice). It also features double O-Ring seals in each port making it ideal for foodstuff and liquid.

Fast and simple to install, John Guest valves create an instant push-fit connection and leak tight seal without the need for tools, hot works or sealing agents. The unique collet locking design firmly and securely holds the pipe in place without deforming the pipe or restricting flow. John Guest push-fit valves are corrosion resistant and fully demountable, improving system performance and reducing system downtime during maintenance. All John Guest fittings are manufactured and assembled in the UK.



Features & Benefits

- Durable acetal stop valve with integral 1/4 turn valve and nitrile O-rings
- Double O-Rings in each port
- Instant push-fit connection and leak tight seal
- Connect, disconnect and reconnect in seconds without tools
- No scale build up improves performance and equipment lifespan
- Superior flow characteristics
- Suitable for potable liquids, food stuff and inert gases
- Compatible with LLDPE or soft metal pipe/tubing

| Product code | Description | Size |
|--------------|------------------|------|
| NC2555 | Angle Stop Valve | 3/8" |



Grey Acetal Angled Stop Valve

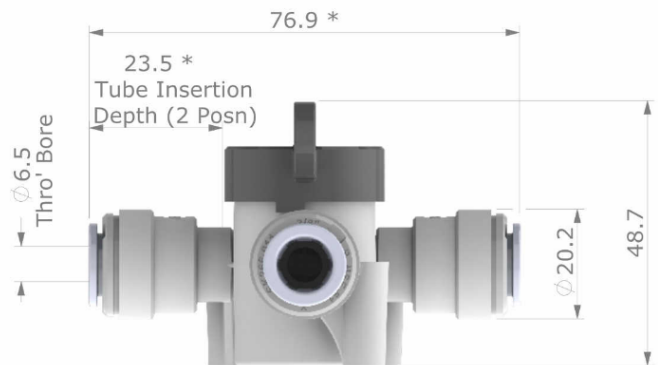
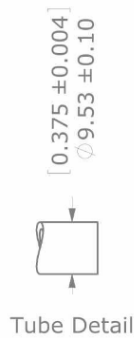
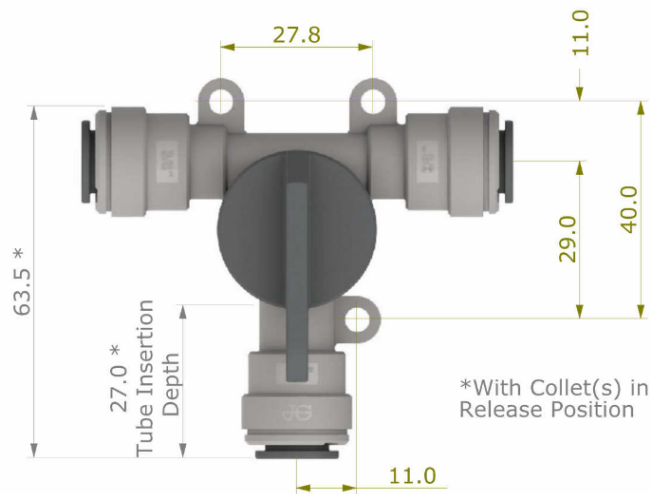
| | Maximum & Minimum Temperature | Maximum working pressure, bar |
|----------------|-------------------------------|-------------------------------|
| Potable Liquid | 1°C - 65°C | 10 Bar (7 Bar @ 65°C) |
| Air | -20°C - 1°C | 10 Bar |

| Materials | |
|--------------|-----------------------------|
| Body | Plastic |
| O-Ring | Nitrile, Black |
| Collet | Acetal Copolymer (Unfilled) |
| Collet Teeth | Stainless Steel 301 |

| Application |
|-------------------|
| Potable Liquid |
| Food Grade Liquid |
| Inert Gases |
| Vacuum |

Dimensions – All measurements in mm unless otherwise stated

The John Guest 3/8" Angle Stop Valve features double 'O' rings in each of the speedfit ports and has been developed for a wide range of applications including foodstuffs, potable liquids and air.



Dimensions in mm & [Inches]