

# Grey Acetal Compact Straight Adaptor (BSP Thread)

**Quickly and easily converts an imperial push-fit connection to an imperial threaded connection and features a compact design and special large seal**

## Overview

John Guest grey push-fit acetal compact straight adaptor (BSP thread) fitting converts imperial pipe to an imperial BSP type thread for connection to a fitting, fixture or appliance. Fast and simple to install, John Guest push-fit fittings create an instant push-fit connection and leak tight seal without the need for tools, hot works or sealing agents.

The compact design features a special large seal for a leakproof connection. The unique collet locking design firmly and securely holds the pipe in place without deforming the pipe or restricting flow. Fittings are corrosion resistant and fully demountable, improving system performance and reducing system downtime during maintenance.

Manufactured in grey push-fit acetal copolymer, the fitting is suitable for foodstuff, potable liquids and inert gases. In accordance with the British Beer & Pub Association Code of Practice, fittings can also be used with N<sub>2</sub>/CO<sub>2</sub> and mixed gas dispense lines, as well as air, pneumatic and vacuum applications. All John Guest fittings are manufactured and assembled in the UK.



## Features & Benefits

- Plastic push-fit adaptor for converting to imperial BSP threads
- Rigid and hardwearing acetal copolymer material
- Food grade material suitable for foodstuff, potable liquids, inert gases, air, pneumatic and vacuum
- Instant push-fit connection and leak tight seal
- Connect, disconnect and reconnect in seconds without tools
- No scale build up improves performance and equipment lifespan
- Superior flow characteristics
- Compatible with LLDPE or soft metal pipe/tube

Product code	Description	Size
NCPI011211S	Straight Adaptor (BSP Thread)	3/8" x 1/8"
NCPI011212S	Straight Adaptor (BSP Thread)	3/8" x 1/4"



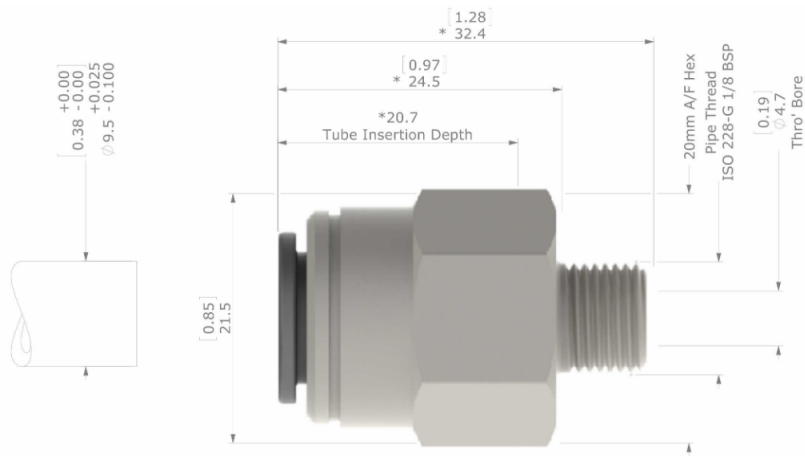
# Grey Acetal Compact Straight Adaptor (BSP Thread)

	Maximum & Minimum Temperature	Maximum working pressure, bar
Potable Liquid	1°C -65°C	16 Bar (7 Bar @ 65°C)

Materials	
Body	Plastic
O-Ring	Nitrile, Black
Collet	Acetal Copolymer (Unfilled)
Collet Teeth	Stainless Steel 301

Application
Potable Liquid
Food Grade Liquid
Inert Gases
Vacuum

**Dimensions** – All measurements in mm unless otherwise stated

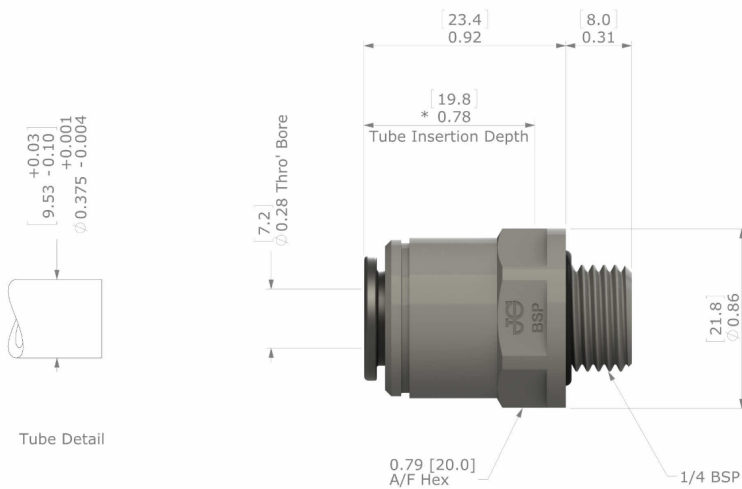


Tube Detail  
3/8"

NCPI011211S

\* With Collet in release position

Dimensions in [Inches] & mm



Tube Detail

NCPI011212S

\*With Collet in release position

Dimensions in Inches & [mm]