

Grey Acetal Cross (Imperial)

Connects 4 pipes of equal pipe size.

Overview

John Guest grey push-fit acetal cross fitting connects four pipes of equal connection size to create two additional outlet branch feeds from a mains supply. Fast and simple to install, John Guest push-fit fittings create an instant push-fit connection and leak tight seal without the need for tools, hot works or sealing agents.

The unique collet locking design firmly and securely holds the pipe in place without deforming the pipe or restricting flow. Fittings are corrosion resistant and fully demountable, improving system performance and reducing system downtime during maintenance.

Manufactured in grey push-fit acetal copolymer, the fitting is suitable for foodstuff, potable liquids and inert gases. In accordance with the British Beer & Pub Association Code of Practice, fittings can also be used with N₂/CO₂ and mixed gas dispense lines, as well as air, pneumatic and vacuum applications. All John Guest fittings are manufactured and assembled in the UK.



Features & Benefits

- Strong acetal copolymer fitting with nitrile O-Ring
- Airtight connection with superior flow characteristics
- Instant push-fit connection and demountable without tools
- Secure collet cover prevents accidental disconnection
- Suitable for air and pneumatics piping systems up to 10 bar
- Ideal for air, inert gases and vacuum applications
- Food grade fitting suitable for potable liquids
- Compatible with soft metal or plastic pipe/tubing

Product code	Description	Size	Bag QTY
PI4712S	Cross	3/8"	10



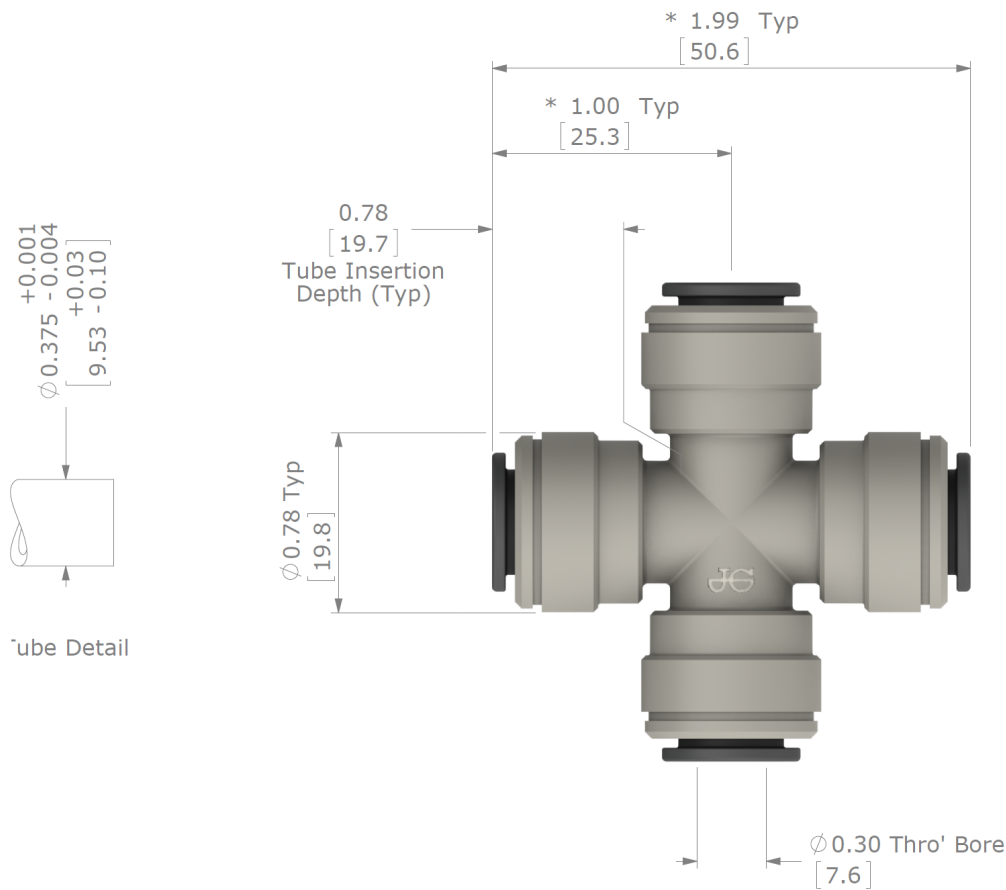
Grey Acetal Cross (Imperial)

Working parameters & specifications

Application		Maximum working pressure, bar
Air		16 Bar

Materials		Application
Body	Acetal Copolymer (Unfilled), Black	Potable Liquid
O-Ring	Nitrile, Black	Food Grade Liquid
Collet	Acetal Copolymer (Unfilled), Black	Inert Gases
Collet Teeth	Stainless Steel 301	Vacuum

Dimensions – All measurements in mm unless otherwise stated



*With Collet(s) in release position

Dimensions in Inches & [mm]