

Grey Acetal Reducing Tee

Quickly and easily connects two equal pipe sizes and a reduced branch connection

Overview

John Guest grey push-fit acetal reducing tee fitting connects two equally sized pipes and a reduced branch feed. Fast and simple to install, John Guest push-fit fittings create an instant push-fit connection and leak tight seal without the need for tools, hot works or sealing agents.

The unique collet locking design firmly and securely holds the pipe in place without deforming the pipe or restricting flow. Fittings are corrosion resistant and fully demountable, improving system performance and reducing system downtime during maintenance.

Manufactured in grey push-fit acetal copolymer, the fitting is suitable for foodstuff, potable liquids and inert gases. In accordance with the British Beer & Pub Association Code of Practice, fittings can also be used with N₂/CO₂ and mixed gas dispense lines, as well as air, pneumatic and vacuum applications. All John Guest fittings are manufactured and assembled in the UK.



Features & Benefits

- Rigid and hardwearing acetal copolymer material
- Food grade material suitable for foodstuff, potable liquids, inert gases, air, pneumatic and vacuum
- Instant push-fit connection and leak tight seal
- Connect, disconnect and reconnect in seconds without tools
- No scale build up improves performance and equipment lifespan
- Superior flow characteristics
- Compatible with LLDPE or soft metal pipe/tubing

Product code	Description	Size
PI301208S	Reducing Tee	3/8" - 1/4"
PI301612S	Reducing Tee	1/2" - 3/8"



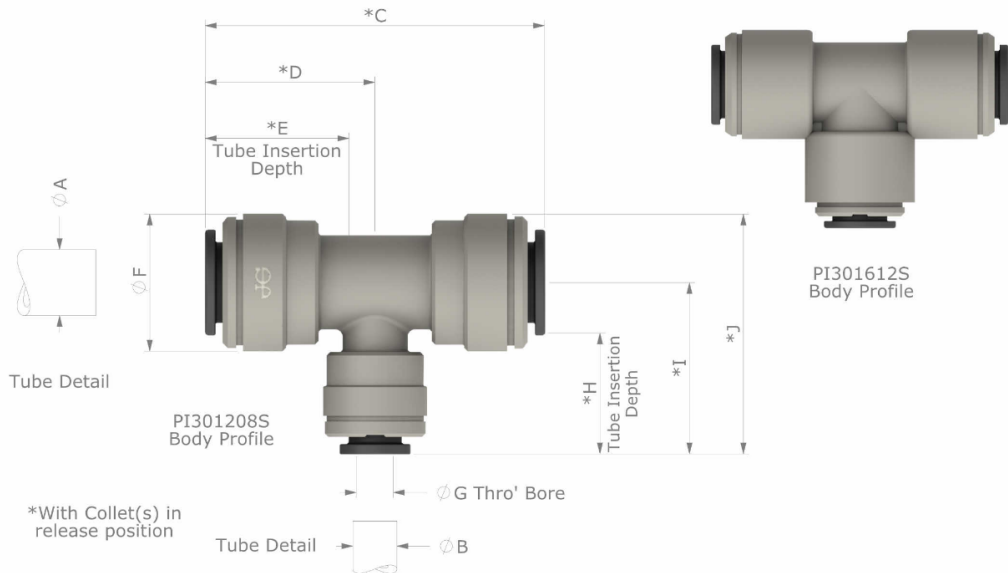
Grey Acetal Reducing Tee

	Maximum & Minimum Temperature	Maximum working pressure, bar
Potable Liquid	1°C -65°C	16 Bar (7 Bar @ 65°C)

Materials	
Body	Plastic
O-Ring	Nitrile, Black
Collet	Acetal Copolymer (Unfilled)
Collet Teeth	Stainless Steel 301

Application	
Potable Liquid	
Food Grade Liquids	
Inert Gases	
Vacuum	

Dimensions – All measurements in mm unless otherwise stated



Product No.	Size	A Tube O/D	B Tube O/D	C	D	E	F	G	H	I	J
PI301208S	3/8" - 1/4"	0.375 +0.001 / -0.004 [9.53 +0.03 / -0.10]	0.250 +0.001 / -0.004 [6.35 +0.03 / -0.10]	1.85 [46.9]	0.92 [23.5]	0.78 [19.7]	0.78 [19.8]	0.21 [5.3]	0.62 [15.7]	0.90 [23.0]	1.29 [32.9]
PI301612S	1/2" - 3/8"	0.500 +0.001 / -0.004 [12.70 +0.03 / -0.10]	0.375 +0.001 / -0.004 [9.53 +0.03 / -0.10]	2.40 [61.0]	1.20 [30.5]	0.91 [23.0]	0.92 [23.3]	0.30 [7.5]	0.78 [19.7]	1.16 [29.5]	1.62 [41.1]

Dimensions in Inches & [mm]