

# Grey Acetal U-Bend (Imperial)

**Connects 2 equal pipe/tube sizes to form a u-shaped pipe bend.**

## Overview

John Guest grey push-fit acetal u-bend fitting connects two equal pipe sizes to form a u-shaped bend. Fast and simple to install, John Guest push-fit fittings create an instant push-fit connection and leak tight seal without the need for tools, hot works or sealing agents.

The unique collet locking design firmly and securely holds the pipe in place without deforming the pipe or restricting flow. Fittings are corrosion resistant and fully demountable, improving system performance and reducing system downtime during maintenance.

Manufactured in grey push-fit acetal copolymer, the fitting is suitable for foodstuff, potable liquids and inert gases. In accordance with the British Beer & Pub Association Code of Practice, fittings can also be used with N<sub>2</sub>/CO<sub>2</sub> and mixed gas dispense lines, as well as air, pneumatic and vacuum applications. All John Guest fittings are manufactured and assembled in the UK.



## Features & Benefits

- Strong acetal copolymer fitting with nitrile O-Ring
- Airtight connection with superior flow characteristics
- Instant push-fit connection and demountable without tools
- Secure collet cover prevents accidental disconnection
- Suitable for air and pneumatics piping systems up to 10 bar
- Ideal for air, inert gases and vacuum applications
- Food grade fitting suitable for potable liquids
- Compatible with soft metal or plastic pipe/tubing

Product code	Description	Size	Bag QTY
PIUB12S	U-Bend	3/8"	10
PIUB16S	U-Bend	1/2"	10



# Grey Acetal U-Bend (Imperial)

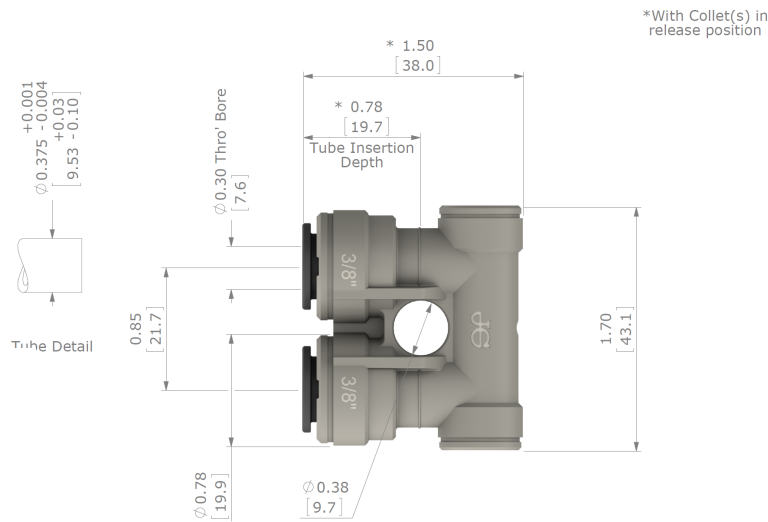
## Working parameters & specifications

Application	Maximum working pressure, bar
Air	16 Bar

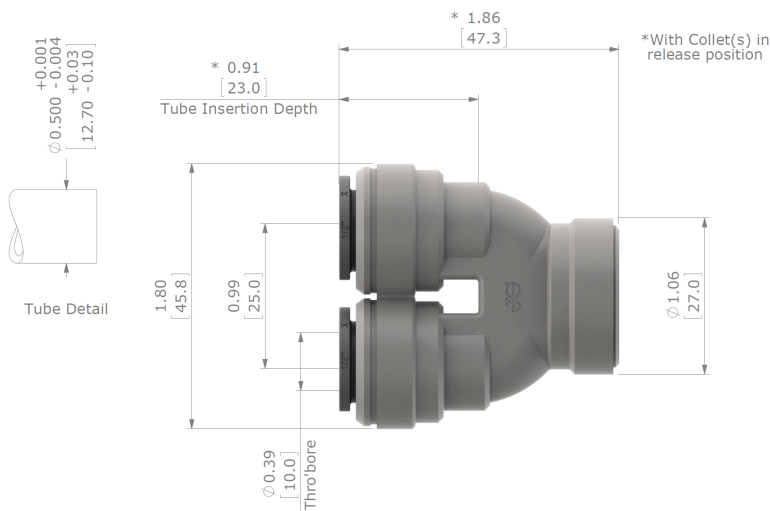
Materials	
Body	Acetal Copolymer (Unfilled), Black
O-Ring	Nitrile, Black
Collet	Acetal Copolymer (Unfilled), Black
Collet Teeth	Stainless Steel 301

Application	
Potable Liquid	
Food Grade Liquid	
Inert Gases	
Vacuum	

## Dimensions – All measurements in mm unless otherwise stated



Dimensions in Inches & [mm]



Dimensions in Inches & [mm]