

Polypropylene Female Adaptor (NPTF Thread)

Quickly and securely converts a push-fit connection to a NPTF type connection

Overview

John Guest push-fit polypropylene female adaptor (NPTF thread) fitting connects pipe/tubing to a NPTF type threaded connection. Fast and simple to install, John Guest push-fit fittings create an instant push-fit connection and leak tight seal without the need for tools, hot works or sealing agents.

The unique collet locking design firmly and securely holds the pipe in place without deforming the pipe or restricting flow. Fittings are corrosion resistant and fully demountable, improving system performance and reducing system downtime during maintenance.

Manufactured in polypropylene with EPDM O-Rings, the fitting offers greater chemical resistance than push-fit acetal and is suitable for potable water (10 bar at 20°C) and intermittent hot water applications (4 bar at 60°C), as well as water treatment and purification applications. All John Guest fittings are manufactured and assembled in the UK.



Features & Benefits

- Polypropylene material and EPDM O-Ring offers high chemical resistance
- Suitable for potable water, intermittent hot water (up to 65°C max) water treatment and purification applications (Not suitable for compressed air or vacuum applications)
- Instant push-fit connection and leak tight seal
- Connect, disconnect and reconnect in seconds without tools
- No scale build up improves performance and equipment lifespan
- Superior flow characteristics
- Compatible with LLDPE or soft metal pipe/tube

Product Code	Description	Size
PP450821W	Female Adaptor	1/4" - 1/8"
PP450822W	Female Adaptor	1/4" - 1/4"
PP451222W	Female Adaptor	3/8" - 1/4"
PP451223W	Female Adaptor	3/8" - 3/8"



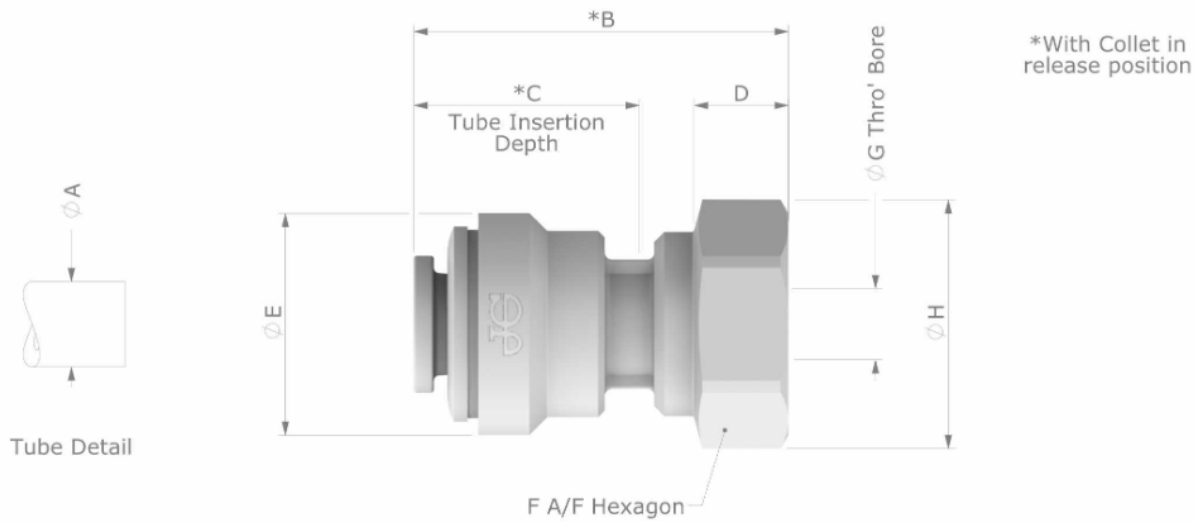
Polypropylene Female Adaptor (NPTF Thread)

Application	Maximum working temperature °C	Maximum working pressure, bar
Potable Water	20	10
Intermittent Hot Water	60	4

Materials	
Body	Polypropylene
O-Ring	EPDM
Collet	Polypropylene
Collet Teeth	Stainless Steel 301

Application
Potable Liquid
Water Treatment & Purification
Not Suitable for Compressed Air & Vacuum

Dimensions – All measurements in mm unless otherwise stated



Product No.	Colour	Size	A	B	C	D	E	F	G	H
PP450821W	White	1/4" x 1/8 NPTF	0.250 +0.001 / -0.004	1.06	0.62	0.28	0.65	0.65	0.21	0.73
PP450821E	Black		[6.35 +0.03 / -0.10]	[26.8]	[15.7]	[7.0]	[16.5]	[16.5]	[5.3]	[18.5]
PP450822W	White	1/4" x 1/4 NPTF	0.250 +0.001 / -0.004	1.27	0.62	0.41	0.64	0.87	0.21	0.94
PP450822E	Black		[6.35 +0.03 / -0.10]	[32.2]	[15.7]	[10.5]	[16.3]	[22.0]	[5.3]	[24.0]
PP451222W	White	3/8" x 1/4 NPTF	0.375 +0.001 / -0.004	1.40	0.78	0.41	0.78	0.87	0.30	0.94
PP451223W	White	3/8" x 3/8 NPTF	0.375 +0.001 / -0.004	1.38	0.78	0.41	0.78	1"	0.30	1.11
			[9.53 +0.03 / -0.10]	[35.1]	[19.8]	[10.3]	[19.8]		[7.6]	[28.3]

Dimensions in Inches & [mm]