

Grey Acetal Unequal Two-Way Divider

Splits a supply line to 2 separate supply outlets

Overview

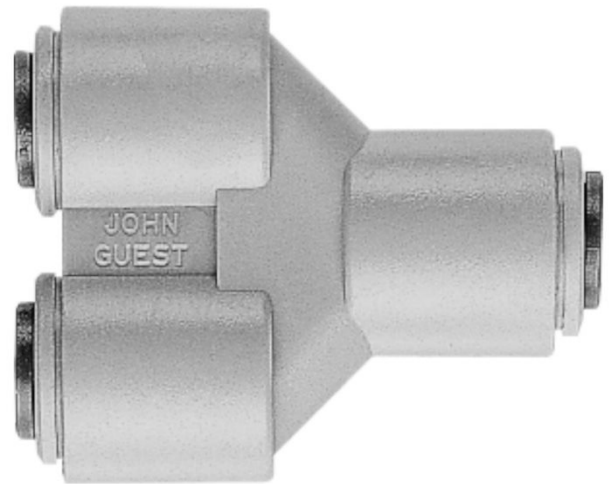
John Guest two-way push-fit divider is designed to split supply to two separate reduced supply feeds. Fast and simple to install, John Guest push-fit fittings create an instant push-fit connection and leak tight seal without the need for tools, hot works or sealing agents.

The unique collet locking design firmly and securely holds the pipe in place without deforming the pipe or restricting flow. Fittings are corrosion resistant and fully demountable, improving system performance and reducing system downtime during maintenance.

Manufactured in grey push-fit acetal copolymer, the fitting is suitable for foodstuff, potable liquids and inert gases. In accordance with the British Beer & Pub Association Code of Practice, fittings can also be used with N₂/CO₂ and mixed gas dispense lines, as well as air, pneumatic and vacuum applications. All John Guest fittings are manufactured and assembled in the UK.

Features & Benefits

- Strong acetal copolymer fitting with nitrile O-Ring
- Airtight connection with superior flow characteristics
- Instant push-fit connection and demountable without tools
- Secure collet cover prevents accidental disconnection
- Suitable for air and pneumatics piping systems up to 10 bar
- Ideal for air, inert gases and vacuum applications
- Food grade fitting suitable for potable liquids
- Compatible with soft metal or plastic pipe/tubing



Product code	Description	Size	Bag QTY
PI241210S	Unequal Two-Way Divider	3/8" x 5/16"	10

Grey Acetal Unequal Two-Way Divider

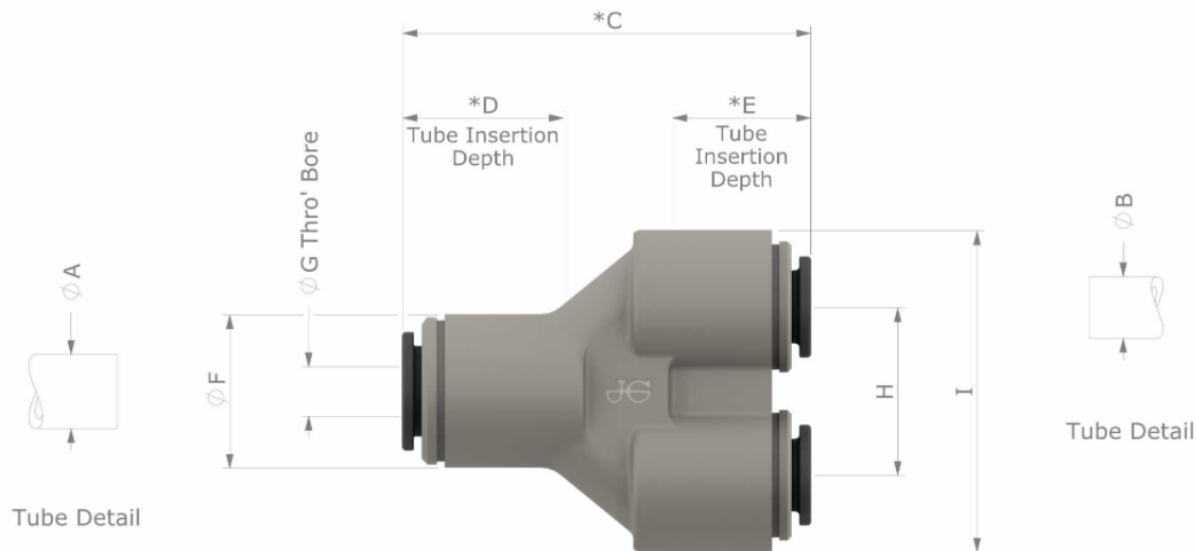
Working parameters & specifications

Application	Usual working temperature °C	Maximum working temperature °C	Maximum working pressure, bar
Air (4mm to 8mm)	-10°C minimum	95	16 Bar (10 Bar on 10-22mm)

Materials	
Body	Acetal Copolymer
Collet	Glass Filled Nylon
Collet Teeth	Stainless Steel 301

Application
Potable Liquid
Food Grade Liquid
Inert Gases
Vacuum

Dimensions – All measurements in mm unless otherwise stated



Product Number	Size	A Tube O/D	B Tube O/D	C	D	E	F	G	H	I
PI241210S	3/8" to 5/16"	0.375 +0.001 / -0.004 [9.53 +0.03 / -0.10]	0.313 +0.001 / -0.004 [7.94 +0.03 / -0.10]	1.65 [41.9]	0.60 [15.2]	0.50 [12.7]	0.78 [19.8]	0.22 [5.6]	0.85 [21.6]	1.63 [41.4]