

# White Acetal Tube to Hose Elbow

**Quickly and easily converts a push-fit connection to a 90° barbed hose connection**

## Overview

John Guest white push-fit acetal tube to hose elbow fitting converts a push-fit connection port to a hose type 90° barbed connection. Fast and simple to install, John Guest push-fit fittings create an instant push-fit connection and leak tight seal without the need for tools, hot works or sealing agents.

The unique collet locking design firmly and securely holds the pipe in place without deforming the pipe or restricting flow. Fittings are corrosion resistant and fully demountable, improving system performance and reducing system downtime during maintenance.

Manufactured in white push-fit acetal copolymer with EPDM O-Rings, the fitting is suitable for potable water, intermittent hot water applications (up to 65°C max), water treatment and purification applications. All John Guest fittings are manufactured and assembled in the UK.



## Features & Benefits

- Rigid and hardwearing acetal copolymer material with EPDM O-Ring
- Suitable for potable water, intermittent hot water applications (up to 65°C max), water treatment and purification applications (not suitable for air, pneumatic or vacuum applications)
- Instant push-fit connection and leak tight seal
- Connect, disconnect and reconnect in seconds without tools
- No scale build up improves performance and equipment lifespan
- Superior flow characteristics
- Compatible with LLDPE or soft metal pipe/tubing

Product code	Description	Size
CI291208W	Tube to Hose Elbow	3/8" x 1/4"



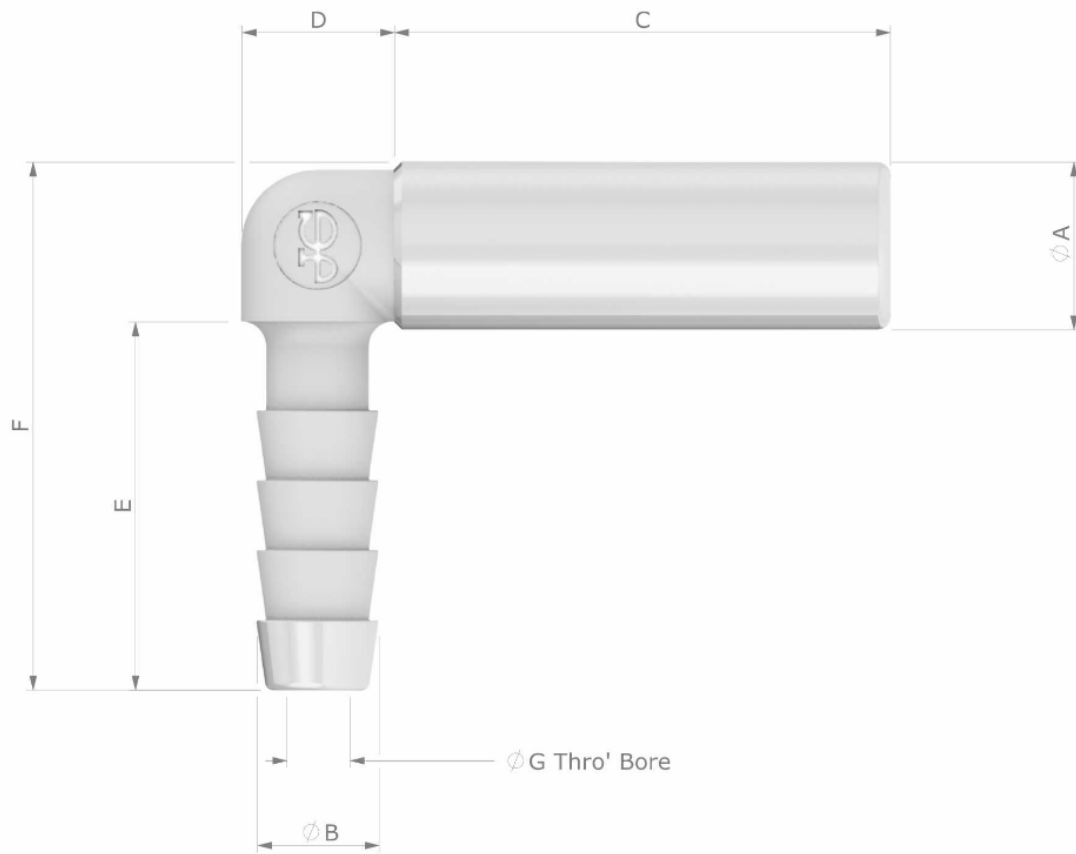
# White Acetal Tube to Hose Elbow

	Maximum & Minimum Temperature	Maximum working pressure, bar
Potable Liquid	1°C -65°C	16 Bar (7 Bar @ 65°C)

Materials	
Body	Acetal Copolymer (Unfilled) White
O-Ring	EPDM, Black
Collet	Acetal Copolymer (Unfilled)
Collet Teeth	Stainless Steel 301

Application
Potable Liquid
Water Purification
Water Treatment
Intermittent Hot Water (up to 65C)
<b>Not Suitable for Air or Vacuum Applications</b>

**Dimensions** – All measurements in mm unless otherwise stated



Product No.	Stem O/D - Hose I/D	A	B	C	D	E	F	G
CI291208W	3/8" - 1/4"	3/8" [9.53]	0.270 [6.9]	1.10 [28.0]	0.34 [8.6]	0.82 [20.8]	1.18 [30.0]	0.14 [3.5]

Dimensions in Inches & [mm]