

Reducing Elbow Connector

Safely and securely connects tube-in-tube pipework to form a 90° pipe bend

Overview

JG PolarClean reducing elbow connector fitting connects unequal size pipework to form a 90° pipe bend, and is designed to improve the conditioning of beer dispense using tube-in-tube technology.

Fast and simple to install, JG PolarClean fittings keep beer lines consistently cool at brand specification temperatures, eradicating the risk of microbiological activity while improving carbonation control and reducing product wastage. The fitting also enables different beer temperatures to be achieved in a single python.

By carrying beverages through a tube encased by another tube with coolant, the fitting delivers extra cold beer straight from the keg coupler to the beer font, without the need for a cold room or secondary cooling device. With JG PolarClean bars, restaurants, cafes and hotels can now install draught beer systems in limited spaces and at a minimal cost.

JG PolarClean is suitable for potable liquid, foodstuff, coolant, drinks and beer dispense applications. The fitting is not suitable for compressed air and vacuum applications. All John Guest fittings are manufactured and assembled in the UK.



Features & Benefits

- Transparent body
- Instant push-fit connection and leak tight seal
- Extra cold and consistent beer temperatures at every pour
- No cellar or secondary cooler required
- Reduces beer-line microbiological growth
- More revenue per keg due to less FOB and beer-line downtime
- Tamperproof solution with special release tool to dismount
- Suitable for fluid applications from -5°C (internal fluids must not freeze) to 30°C (max)

Product code	Description	Size
NC2618	Reducing Elbow Connector	3/8"



Reducing Elbow Connector

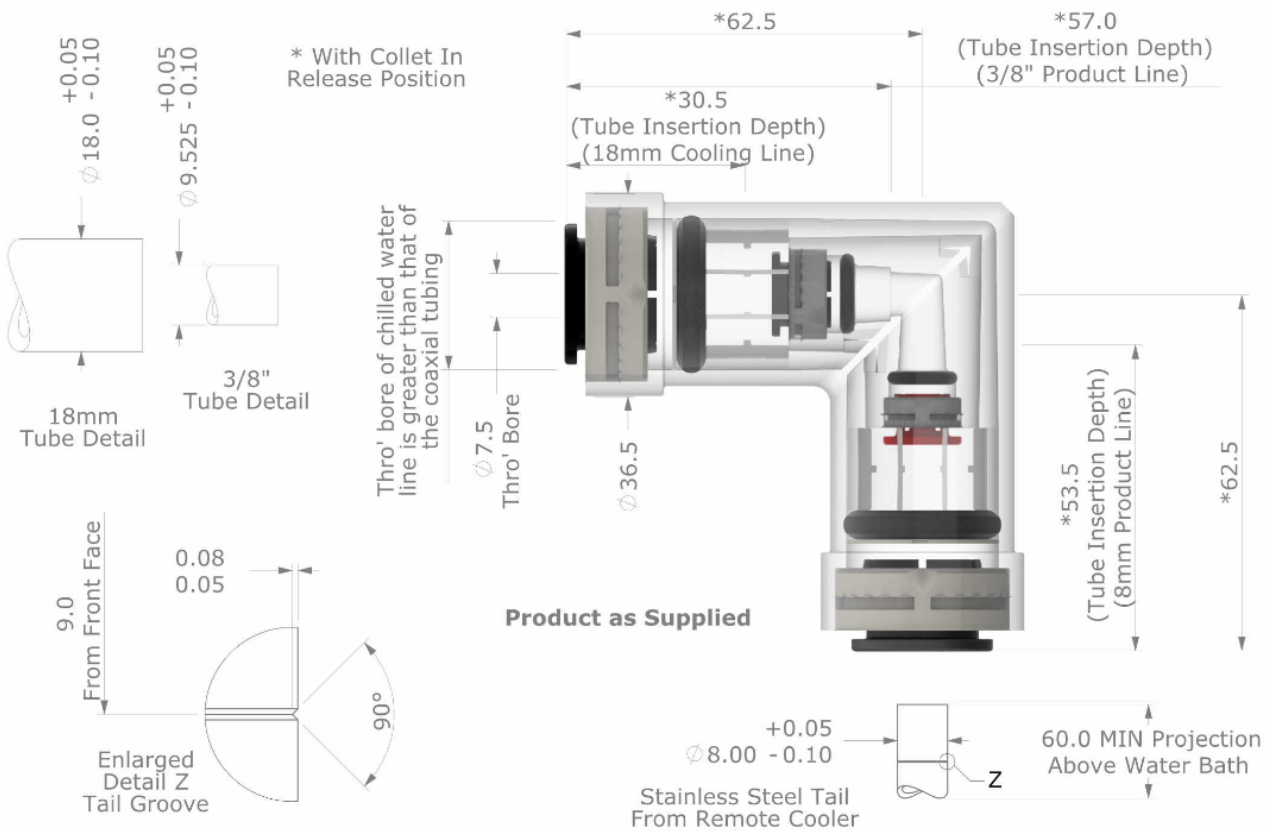
Working parameters & specifications

Application	Maximum working pressure, bar
Potable Liquids	10 Bar

Materials	
Body	Acrylic, Clear
O-Ring	Nitrile, Black
Collet	Acetal Copolymer (Unfilled), Black
Collet Teeth	Stainless Steel 301

Application
Beer Dispense Cooling (-5c to 5c)

Dimensions – All measurements in mm unless otherwise stated



Dimensions in mm - nominal unless stated otherwise