

# Grey Acetal Shut Off Valve (Short Handle)

Quickly and safely isolates a fixture or appliance via an integrated full bore 1/4 turn valve

## Overview

John Guest grey push-fit acetal stop valve (short handle) isolates supply to an appliance or fixture with ¼ turn handle. The valve includes a full-bore mechanism, especially designed for brewing and soft drinks as well as potable water, air and inert gases such as N<sub>2</sub>/CO<sub>2</sub> (up to 50°C max and in accordance with The British Beer and Pub Association Code of Practice).

Fast and simple to install, John Guest valves create an instant push-fit connection and leak tight seal without the need for tools, hot works or sealing agents. The unique collet locking design firmly and securely holds the pipe in place without deforming the pipe or restricting flow. John Guest push-fit valves are corrosion resistant, with nitrile O-Rings and are fully demountable, improving system performance and reducing system downtime during maintenance. All John Guest fittings are manufactured and assembled in the UK.

## Features & Benefits

- Durable acetal stop valve with integral ¼ turn short handle and nitrile O-rings
- Instant push-fit connection and leak tight seal
- Connect, disconnect and reconnect in seconds without tools
- No scale build up improves performance and equipment lifespan
- Superior flow characteristics
- Suitable for potable water, food stuffs, inert gases and intermittent hot water applications
- Compatible with LLDPE or soft metal pipe/tubing



Product code	Description	Size
PISV0412CS	Shut Off Valve - Short Handle	3/8"
PISV04KIT-SH	Shut Off Valve - with Mounting	3/8"



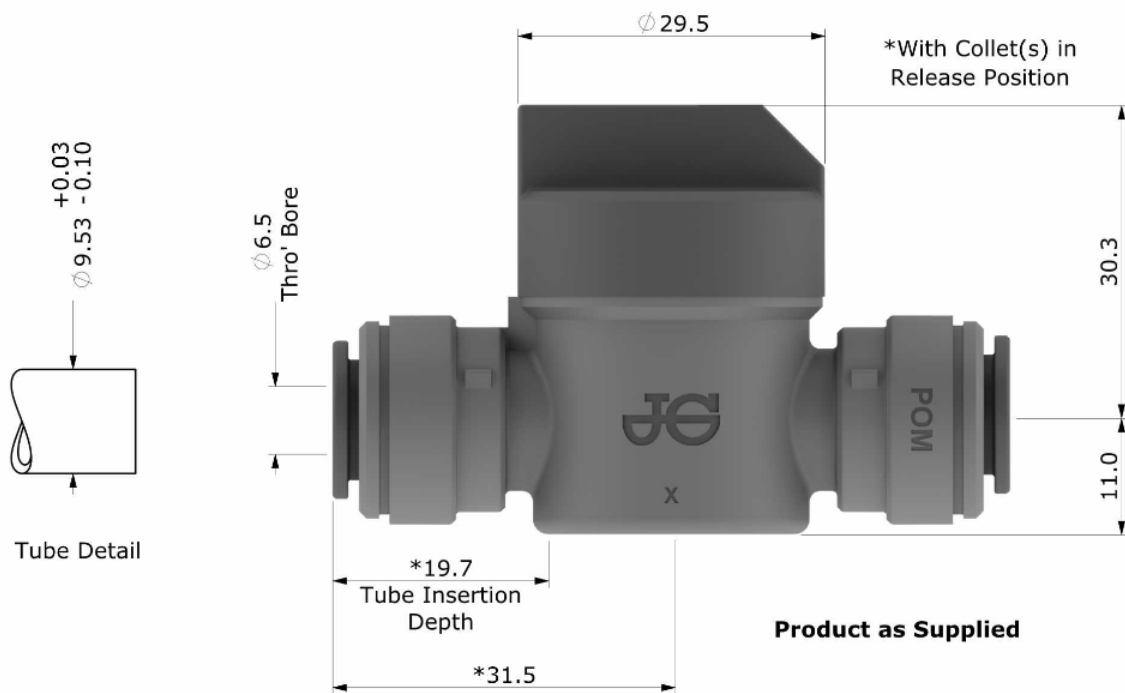
## Grey Acetal Shut Off Valve (Short Handle)

	Maximum & Minimum Temperature	Maximum working pressure, bar
Potable Liquid	1°C -65°C	10 Bar (7 Bar @ 65°C)
Air	-20°C - 1°C	10 Bar

Materials	
Body	Plastic
O-Ring	Nitrile, Black
Collet	Acetal Copolymer (Unfilled)
Collet Teeth	Stainless Steel 301

Application
Potable Liquid
Food Grade Liquid
Inert Gases
Vacuum

**Dimensions** – All measurements in mm unless otherwise stated



Dimensions in mm