

# JG LowFit™ UFH Manifold 12mm

A high-performance range of stainless steel underfloor heating manifolds with 12mm JG Speedfit connections - part of the JG Underfloor LowFit™ range.

## Overview

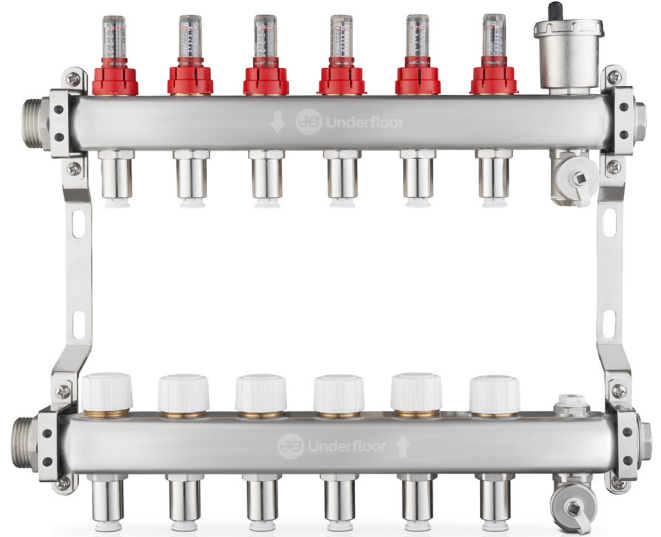
Manufactured to the highest standards, JG LowFit™ Underfloor Heating Manifolds are made from stainless steel and are available in a range of sizes from 2 to 12 ports.

Fast and simple to install, JG LowFit™ Manifolds uniquely feature JG Speedfit push-fit connections and come with a pre-mounted bracket and vibration isolation mount. Manifolds can also be assembled to suit left or right-hand supply.

Each manifold is supplied fully assembled with flow and return rails, adjustable flow meters, an automatic air vent and fill valve. Protective dust caps are supplied on the return rail, which can be removed when installing circuit actuator valves to open and close the flow of water to each pipe loop.

## Features & benefits

- High performance stainless steel manifold
- Fast and simple installation using 12mm Speedfit connections eliminating the need for further reducing adaptors.
- Easy to fit due to pre-mounted brackets and vibration isolation mount
- Integral Automatic Air Vent discharges air that could impact circulation
- Valves on the return manifold are compatible with thermoelectric heads
- Rail valves on the return rail allow circuit actuators to be easily connected
- Versatile assembly for left or right-hand supply



Product code	Ports	Description	Pipe connection size	Width (mm) (Dimension A)
JGLOWFITMAN2	2	JG LowFit™ 12mm UFH Manifold 2 Port	12mm	208
JGLOWFITMAN3	3	JG LowFit™ 12mm UFH Manifold 3 Port	12mm	258
JGLOWFITMAN4	4	JG LowFit™ 12mm UFH Manifold 4 Port	12mm	308
JGLOWFITMAN5	5	JG LowFit™ 12mm UFH Manifold 5 Port	12mm	358
JGLOWFITMAN6	6	JG LowFit™ 12mm UFH Manifold 6 Port	12mm	408
JGLOWFITMAN7	7	JG LowFit™ 12mm UFH Manifold 7 Port	12mm	458
JGLOWFITMAN8	8	JG LowFit™ 12mm UFH Manifold 8 Port	12mm	508
JGLOWFITMAN9	9	JG LowFit™ 12mm UFH Manifold 9 Port	12mm	558
JGLOWFITMAN10	10	JG LowFit™ 12mm UFH Manifold 10 Port	12mm	608
JGLOWFITMAN11	11	JG LowFit™ 12mm UFH Manifold 11 Port	12mm	658
JGLOWFITMAN12	12	JG LowFit™ 12mm UFH Manifold 12 Port	12mm	708



# JG LowFit™ UFH Manifold 12mm

### Working parameters & specifications

Pipe connection size	12mm
Manifold connection size	1" MBSP
Maximum working pressure	3 bar
Maximum test pressure	10 bar
Usual working temperature	30-55°C
Maximum temperature	60°C (Short term malfunction at 114°C)

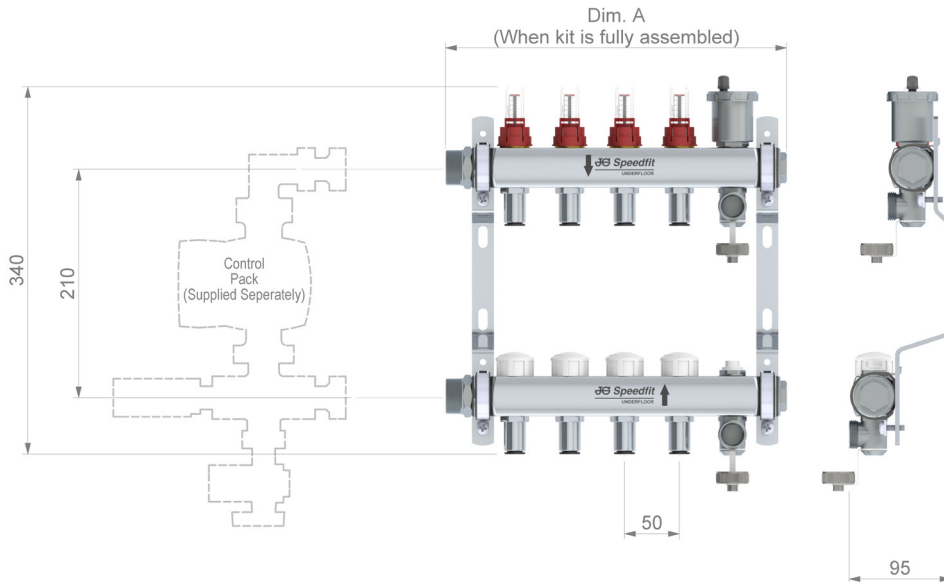
### Materials

Manifold body	Stainless steel
Mounting bracket	Zinc plated steel
Operating plastic	Acrylonitrile butadiene styrene (ABS)
O-Ring	Ethylene polypropylene diene monomer (EPDM)
Collets	Acetal copolymer and stainless steel

### Applications

Underfloor Heating

### Dimensions – All measurements in mm unless otherwise stated



Can be assembled to suit left or right hand supply.

Dimensions in mm